



OWNER'S MANUAL

SCU Under-Running Motorized End Trucks



Table of Contents

1.0 Product Introduction 3

2.0 Drawings & Parts Lists 4

 2.1 SCU End Truck Drawings 4

 2.2 SCU Parts List..... 5

3.0 SCU Wiring Diagram..... 6

4.0 Maintenance of Your End Trucks 7

Starke Products Warranty 8

1.0 Product Introduction

Thank you for purchasing a Starke SCU Under Running Motorized End Truck Kit. These HD bridge crane end trucks require very little maintenance and can accommodate most lengths of bridge cranes. Please make sure that the power supply you intend to hook up to the End Truck Motors matches the voltage the motors require.



1.1 SCU Under-Running End Truck

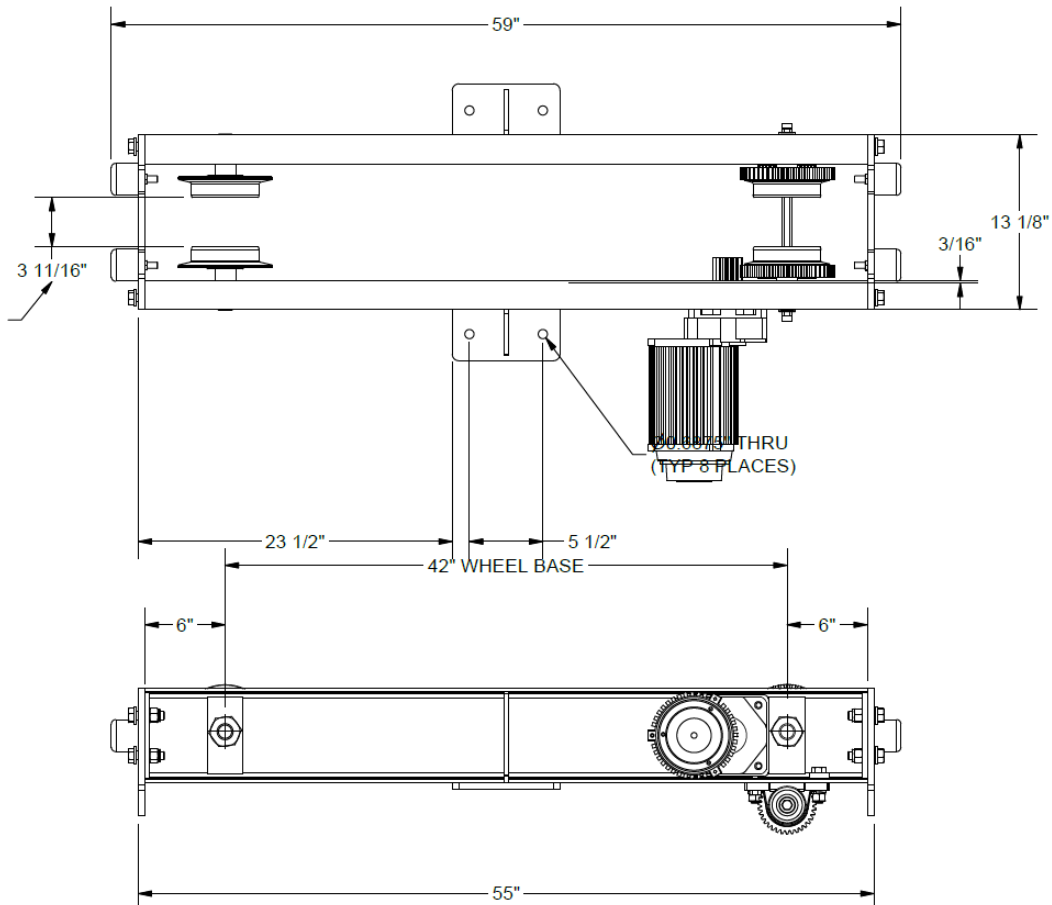
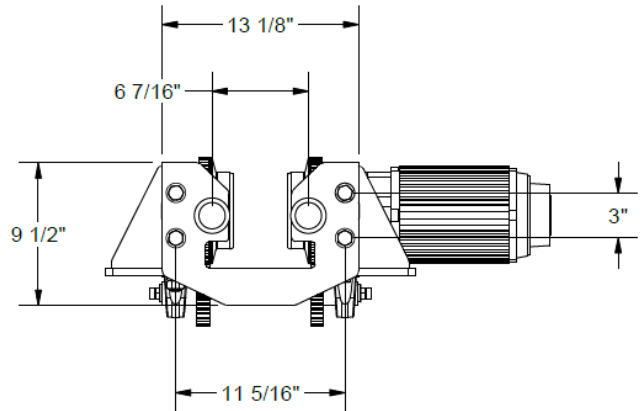
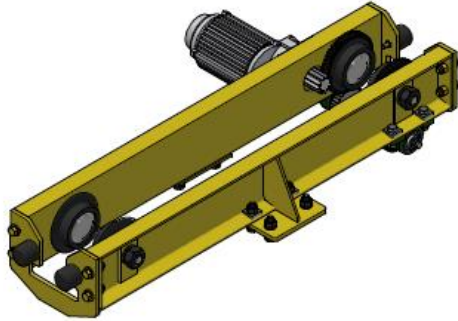


1.2 SCU Under-Running End Truck with a Crane

2.0 Drawings & Parts Lists

2.1 SCU End Truck Drawings

▲IMPORTANT NOTE: These are basic drawings. Yours may be different.



2.2 SCU-110-100 Parts List

| Part Description | Part Number |
|---------------------------|--------------------------------|
| Gear Wheel with Bearing | 600-46016 53 tooth |
| Plain Wheel with Bearing | 600-46017 |
| Rubber Bumper | 600-50037 |
| End Truck Motor w/Gear | 600-46065 (SGM050) M3*22T ½ hp |
| Gear, Motor Shaft | 600-46080 |
| Cross Shaft | (Cut to Length 5/8" Hex) |
| Bearing Housing w/Bearing | 600-46019 |
| Small Drive Gear | 600-46043 |

2.2 SCU-130-100 Parts List

| Part Description | Part Number |
|---------------------------|-------------------------------|
| Gear Wheel with Bearing | 600-46037 59 tooth |
| Plain Wheel with Bearing | 600-46038 |
| Rubber Bumper | 600-50037 |
| End Truck Motor w/Gear | 600-46066 (SGM100) M3*17T 1hp |
| Gear, Motor Shaft | 600-46081 |
| Cross Shaft | (Cut to Length 5/8" Hex) |
| Bearing Housing w/Bearing | 600-46019 |
| Small Drive Gear | 600-46044 |

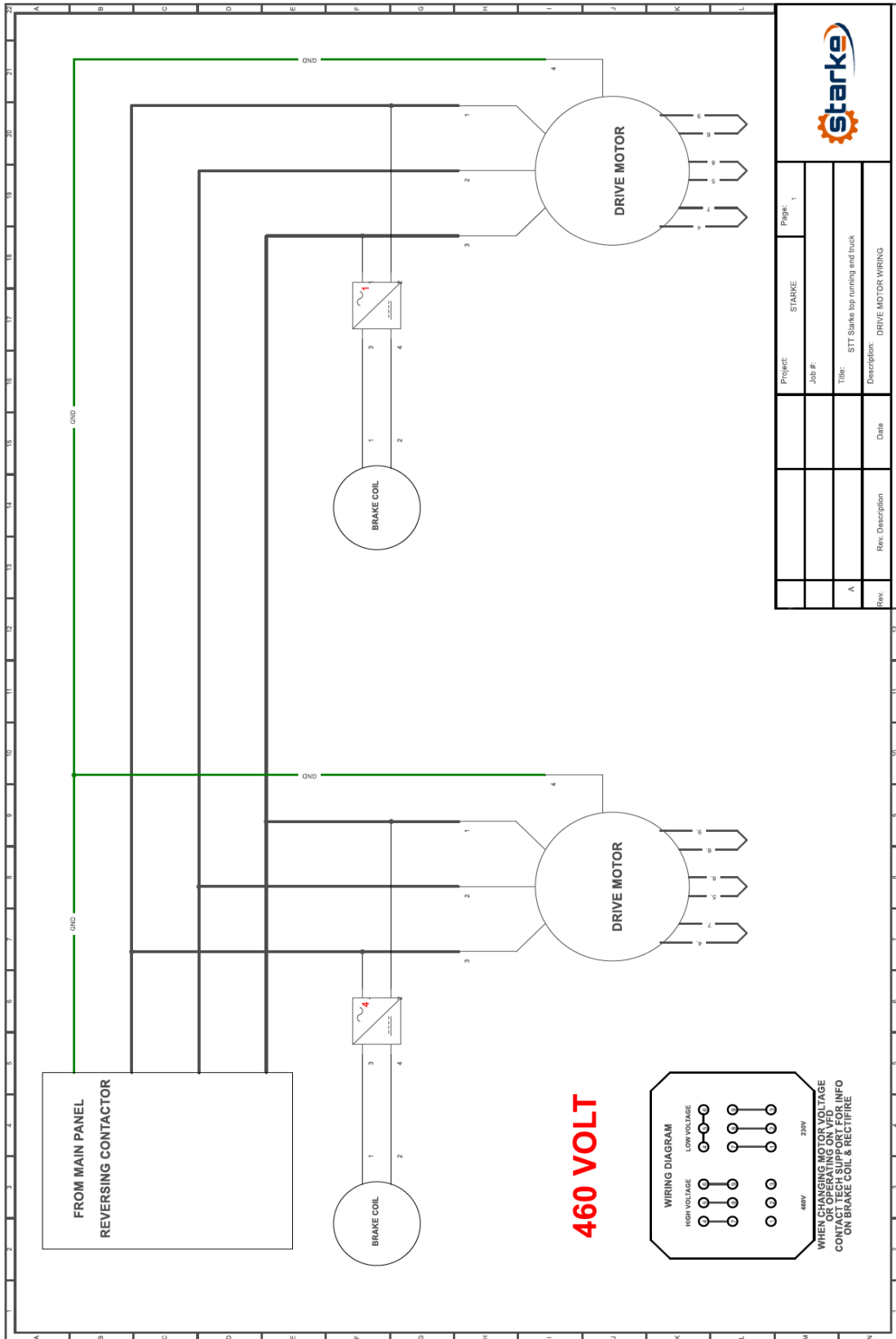
2.2 SCU-160-100 Parts List

| Part Description | Part Number |
|---------------------------|---------------------------------|
| Gear Wheel with Bearing | 600-46039 49 tooth |
| Plain Wheel with Bearing | 600-46040 |
| Rubber Bumper | 600-50037 |
| End Truck Motor w/Gear | 600-46067 (SGM150) M4*22T 1.5hp |
| Gear, Motor Shaft | 600-46082 |
| Cross Shaft | (Cut to Length 5/8" Hex) |
| Bearing Housing w/Bearing | 600-46019 |
| Small Drive Gear | 600-46045 |

2.2 SCU-190-100 Parts List

| Part Description | Part Number |
|---------------------------|-------------------------------|
| Gear Wheel with Bearing | 600-46041 54 tooth |
| Plain Wheel with Bearing | 600-46042 |
| Rubber Bumper | 600-50037 |
| End Truck Motor w/Gear | 600-46068 (SGM200) M5*25T 2HP |
| Gear, Motor Shaft | 600-46083 |
| Cross Shaft | (Cut to Length 5/8" Hex) |
| Bearing Housing w/Bearing | 600-46019 |
| Small Drive Gear | 600-46046 |

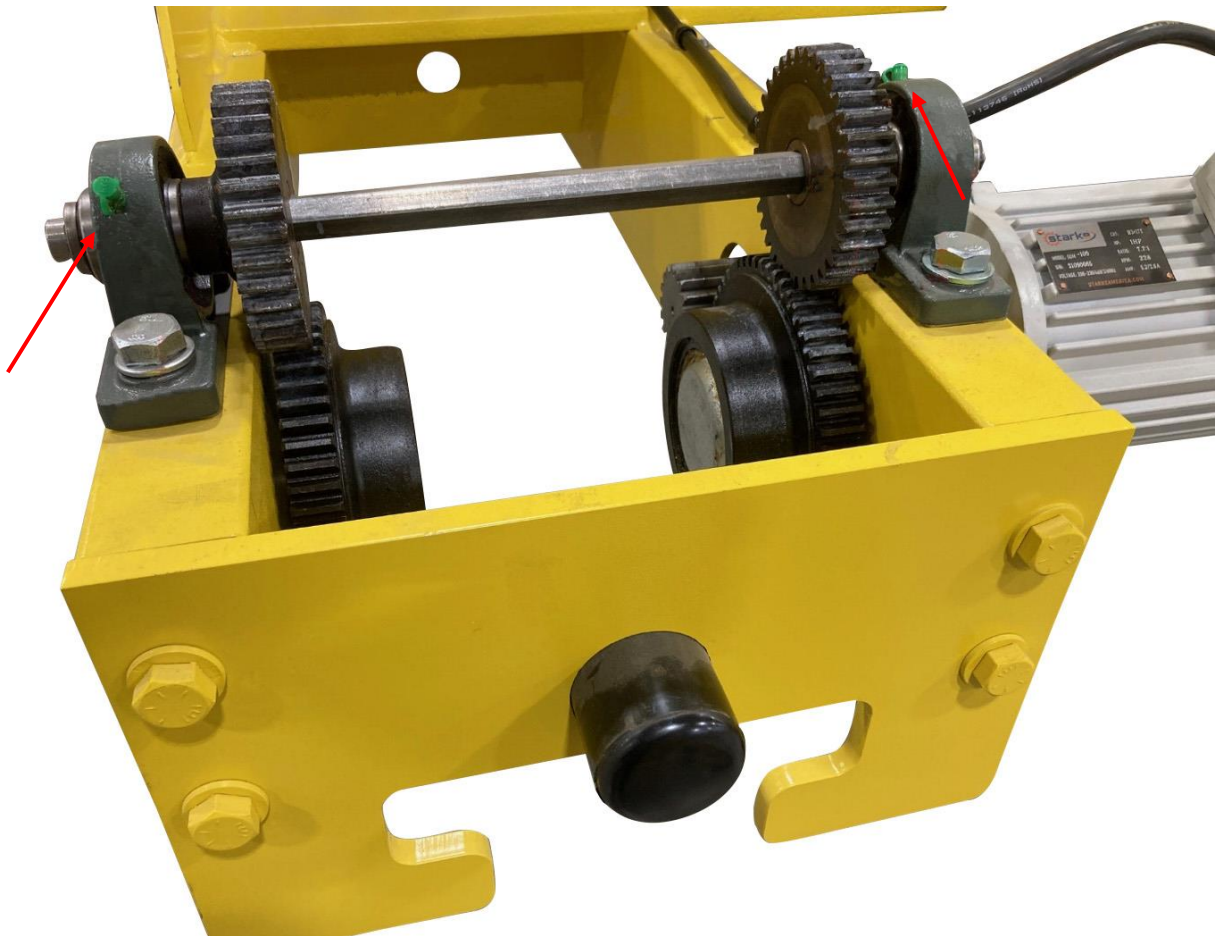
3.0 SCU Wiring Diagram



4.0 Maintenance of Your End Trucks

Grease all fittings as shown every 400 hours of use or yearly. Whichever comes first.

Choose a good quality roller bearing grease.



4.1 Grease Points



Starke Products Warranty

1 Year (12 Month) Parts & Labor Warranty

Unless otherwise specified, Starke guarantees that our products are free from material defects in design and workmanship under normal use, proper maintenance, and service.

This warranty is strictly limited to 12 months for single shift operation or 2,000 hours after installation, or 14 months after shipment, whichever is shorter. Within ten days after defect is found, warrantee must deliver a written notice to Starke providing defect information. All requested warranty information must be received promptly by Starke in no more than 5 business days.

Customer is responsible for all shipping charges on returned/warrantable items. Starke will cover the repair (parts and labor) at no charge or provide a replacement item at Starke's discretion.

This warranty does not cover defects or damage caused by acts of God, unusual wear and tear, improper use, or improper maintenance by the user. No responsibility for consequential damage is expressed or implied, and the responsibility under this warranty/guaranty is limited to the repair or replacement of the defective materials. Repair or replacement of the item is fully at the discretion of Starke.

ALL OTHER REPRESENTATIONS, EXPRESS OR IMPLIED, WARRANTY, OR LIABILITY RELATING TO THE CONDITION OR USE OF THE PRODUCT ARE SPECIFICALLY DISAVOWED, AND IN NO EVENT SHALL STARKE BE LIABLE TO BUYER, OR ANY THIRD PARTY, FOR ANY DIRECT OR INDIRECT CONSEQUENTIAL OR INCIDENTAL DAMAGES

STARKE

Starkeamerica.com/contact-us/



Contact Your Starke Representative for More Information on Products to Help Maximize Your Workplace Efficiency



Hoists & Trolleys



Crane Components



Electrification



Crane Kits



Slings



Safety