



LIFTING & SAFETY
PRICE LIST

INDUSTRIAL PRODUCTS FOR LIFE | STARKEAMERICA.COM





Welcome

In the manufacturing world, Starke Industrial & Safety Products stands as a beacon of innovation and efficiency for companies across North America. With strategic manufacturers in Japan, Taiwan, China as well as the USA, we have created a phenomenal lineup of industrial products allowing our end users to receive an exceptional product for a fair price.

First and foremost, Starke is synonymous with quality. Our hoists and rigging equipment are precision-engineered and rigorously tested to exceed industry standards. Choosing Starke means investing in reliability, ensuring that your manufacturing processes operate seamlessly without interruptions.

Innovation is our driving force, pushing boundaries to create products that enhance productivity and safety. From advanced control systems to ergonomic designs, Starke products represent the forefront of manufacturing technology. Efficiency is at the core of our design philosophy, streamlining workflows, reducing downtime, and saving you valuable time and resources.

Our commitment to these core principles sets us apart as the ideal partner for enhancing your manufacturing operations. With a passion and an unwavering commitment to excellence, Starke has emerged as the go-to provider for many industries that utilize hoists, rigging, and safety equipment.

Starke was formed with the crane builder, safety provider, and end-user in mind. We understand that in many cases, you cannot afford to wait months for a hoist, a control panel, or a set of end trucks. That is why we believe in partnering with distributors who are willing to invest in the inventory of our products, giving them the ability to supply standard applications within days rather than months.

When you choose Starke, you're not just buying equipment; you're investing in products that propel your business forward. Join the ranks of satisfied manufacturers who've experienced the Starke difference, contact your distributor today! Chances are, what you need is probably on their shelf.

Starke America Team

Table of Contents

Hoists



Electric Chain Hoists

STK Series	p. 6
STK VS Series	p. 8
Blitz Series	p. 10



Chain Hoist Upgrades

Load Chain	p. 17
Pendants & Cable	p. 17
Chain Containers	p. 18
Weather Covers	p. 18



Trolleys

Manual Trolleys	p. 12
Motorized Trolleys	p. 14
Tractor Drives	p. 16



Wire Rope Hoists

Amp Draw Chart	p. 19
SMW Series	p. 20
STW Series	p. 22

Crane Components



End Trucks

Top-Running	p. 27
Top Runner	p. 30
Under-Running	p. 32
Crane Bumpers	p. 35
Manual End Trucks	p.36



Enclosed Track

Track	p. 38
Components	p. 39

Electrification & Controls



Electrification

ElectroTrack	p. 40
FlexTrack	p. 42
Festoon System	p. 43



Controls

Power, Control, & Pendant Cable	p. 44
Twist Lock Plugs	p. 44
Quick-Plug Industrial Connectors	p. 45
VFD Control Panels	p. 48
Collision Avoidance Kits	p. 50



Crane Kits



Top-Running
p. 52

This image shows the components of a top-running crane kit, including a 3-ton motor, a control panel, a yellow trolley, and a section of I-beam crane rail.



Top Runner
p. 66


This image shows the components of a top runner crane kit, including a 2-ton motor, a control panel, a yellow trolley, and a section of I-beam crane rail.



Under-Running
p. 74


This image shows the components of an under-running crane kit, including a 5-ton motor, a control panel, a yellow trolley, and a section of I-beam crane rail.

Slings



Chain Slings
Grade 80 p. 86
Grade 100 p. 87


This image shows a blue chain sling with orange hooks at both ends.



Web Slings
p. 89

This image shows a yellow web sling with a blue loop at one end.

Safety




Safety Harnesses
Basic & Deluxe p. 90

This image shows a person wearing a safety harness and a separate safety harness.




SRLs & Lanyards
p. 92

This image shows a 50-foot SRL (Self-Retracting Lanyard) and a yellow lanyard.



Fall Arrest Trolleys
p. 93

This image shows a red fall arrest trolley with a yellow ring at the bottom.



Secondary Brake Devices
p. 94

This image shows a blue secondary brake device with a yellow handle.

HOISTS ELECTRIC CHAIN HOISTS

STK Series

Single Speed Electric Chain Hoist



CRANE COMPONENTS

ELECTRIFICATION & CONTROLS

CRANE KITS

SLINGS

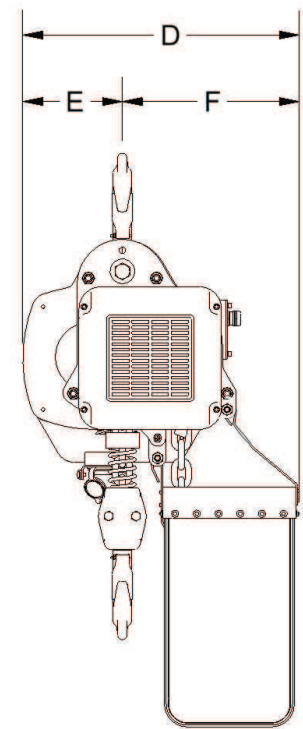
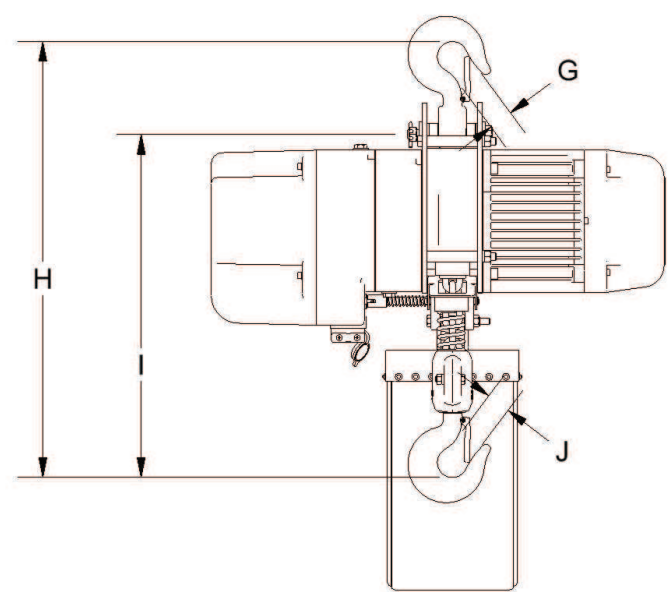
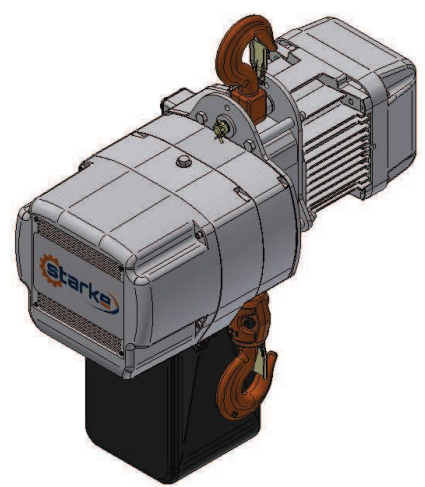
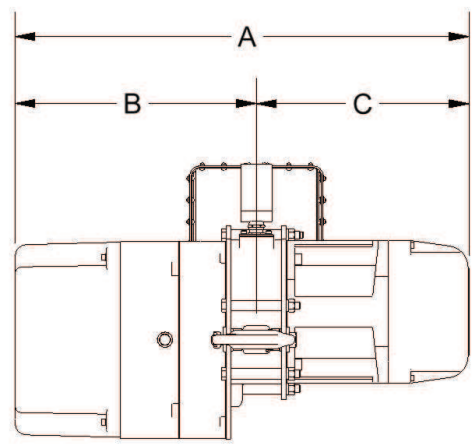
SAFETY

List Price Options

SKU	Cap	Speed	Lift	Reeving	Voltage	HP	Amp	Headroom	Net Weight	List Price Options		
										A	B	C
										Hoist with Rigid Top Hook	Price with SPT Lug Trolley	Price with Motorized VS Trolley
STK0526-10	½ Ton	26 FPM	10'	Single	460/3	1	1.9	20"	95 lbs	\$2,113	\$2,327	\$4,364
STK0526-15	½ Ton	26 FPM	15'	Single	460/3	1	1.9	20"	98 lbs	\$2,222	\$2,436	\$4,473
STK0526-20	½ Ton	26 FPM	20'	Single	460/3	1	1.9	20"	101 lbs	\$2,330	\$2,544	\$4,581
STK1026-10	1 Ton	26 FPM	10'	Single	460/3	2	3.9	23"	130 lbs	\$2,700	\$2,947	\$4,951
STK1026-15	1 Ton	26 FPM	15'	Single	460/3	2	3.9	23"	134 lbs	\$2,822	\$3,069	\$5,073
STK1026-20	1 Ton	26 FPM	20'	Single	460/3	2	3.9	23"	138 lbs	\$2,969	\$3,216	\$5,220
STK2026-10	2 Ton	26 FPM	10'	Single	460/3	4	7.8	28"	241 lbs	\$3,696	\$4,081	\$6,073
STK2026-15	2 Ton	26 FPM	15'	Single	460/3	4	7.8	28"	248 lbs	\$3,843	\$4,228	\$6,220
STK2026-20	2 Ton	26 FPM	20'	Single	460/3	4	7.8	28"	255 lbs	\$3,990	\$4,375	\$6,367
STK3021-10	3 Ton	21 FPM	10'	Single	460/3	4	7.8	32"	244 lbs	\$4,556	N/A	\$7,058
STK3021-15	3 Ton	21 FPM	15'	Single	460/3	4	7.8	32"	253 lbs	\$4,720	N/A	\$7,222
STK3021-20	3 Ton	21 FPM	20'	Single	460/3	4	7.8	32"	262 lbs	\$4,884	N/A	\$7,386
STK5011-10	5 Ton	11 FPM	10'	Double	460/3	4	7.8	37"	306 lbs	\$5,387	N/A	\$8,265
STK5011-15	5 Ton	11 FPM	15'	Double	460/3	4	7.8	37"	315 lbs	\$5,551	N/A	\$8,429
STK5011-20	5 Ton	11 FPM	20'	Double	460/3	4	7.8	37"	324 lbs	\$5,713	N/A	\$8,592
Voltage upgrade from 460 to 208/230 (3-Phase)					208-230/3	Amps in 230V = 460V Amps x2		N/A	N/A	\$100	\$100	\$300

* For Starke SPT Lug Trolley information, go to page 13.

** For Starke Motorized VS Trolleys information, go to page 14.



	STK Series Dimensions								Headroom Dimensions	
	A	B	C	D	E	F	G	J	(I) Lug Pin	(H) Standard
STK0526	22 3/8"	11 7/8"	10 1/2"	12 1/2"	4 3/8"	8 1/8"	1 1/16"	1 1/16"	17 13/16"	21 15/16"
STK1026	24 5/8"	12 13/16"	11 13/16"	12 1/8"	4 15/16"	7 3/16"	1 1/4"	1 1/4"	18 5/8"	23 1/4"
STK2026	28 13/16"	15 5/16"	13 1/2"	17 9/16"	6 5/16"	11 1/4"	1 1/2"	1 1/2"	21 13/16"	27 1/16"
STK3021	28 15/16"	15 7/16"	13 1/2"	16 5/16"	6 3/8"	9 15/16"	1 3/4"	1 3/4"	21 13/16"	27 5/8"
STK5011	28 15/16"	15 9/16"	13 3/8"	16 5/16"	4 1/16"	12 1/4"	1 7/8"	1 7/8"	27"	36 1/2"

VS VARIABLE SPEED SERIES

STK-VS Series Variable Speed Electric Chain Hoist



List Price Options

A	B	C
---	---	---

SKU	Cap	Adjustable Speed	Lift	Reeving	Voltage	HP	Amp	Headroom	Net Weight	Hoist with Rigid Top Hook	Price with SPT Lug Trolley	Price with Motorized VS Trolley
STK05VS-10	1/2 Ton	2 - 26 FPM	10'	Single	460/3	1	1.9	20"	102 lbs	\$2,916	\$3,130	\$5,167
STK05VS-15	1/2 Ton	2 - 26 FPM	15'	Single	460/3	1	1.9	20"	105 lbs	\$3,023	\$3,237	\$5,274
STK05VS-20	1/2 Ton	2 - 26 FPM	20'	Single	460/3	1	1.9	20"	108 lbs	\$3,129	\$3,343	\$5,380
STK10VS-10	1 Ton	2 - 26 FPM	10'	Single	460/3	2	3.9	23"	138 lbs	\$3,650	\$3,897	\$5,901
STK10VS-15	1 Ton	2 - 26 FPM	15'	Single	460/3	2	3.9	23"	142 lbs	\$3,787	\$4,043	\$6,038
STK10VS-20	1 Ton	2 - 26 FPM	20'	Single	460/3	2	3.9	23"	146 lbs	\$3,919	\$4,166	\$6,170
STK20VS-10	2 Ton	2 - 26 FPM	10'	Single	460/3	4	7.8	28"	252 lbs	\$4,710	\$5,095	\$7,086
STK20VS-15	2 Ton	2 - 26 FPM	15'	Single	460/3	4	7.8	28"	259 lbs	\$4,854	\$5,239	\$7,231
STK20VS-20	2 Ton	2 - 26 FPM	20'	Single	460/3	4	7.8	28"	266 lbs	\$4,998	\$5,383	\$7,375
STK30VS-10	3 Ton	2 - 21 FPM	10'	Single	460/3	4	7.8	28"	258 lbs	\$5,763	N/A	\$8,265
STK30VS-15	3 Ton	2 - 21 FPM	15'	Single	460/3	4	7.8	28"	267 lbs	\$5,920	N/A	\$8,422
STK30VS-20	3 Ton	2 - 21 FPM	20'	Single	460/3	4	7.8	28"	276 lbs	\$6,083	N/A	\$8,585
Voltage Upgrade from 460 (3-Phase) to 208/230 (3-Phase)			N/A	N/A	230/3	Amps in 230V = 460V Amps x2		N/A	N/A	\$200	\$200	\$400
Voltage Upgrade from 460 (3-Phase) to 230 (Single Phase)			N/A	230v Single Phase		Amps in 230V = 460V Amps x4		Special Non-Danfoss Drive Required		\$500	\$500	\$1,000
Replace Controls from VS Pendant to 2- Speed Pendant (customer may specify desired low & high speed)										\$200	\$200	\$200

* For Starke SPT Lug Trolley information, go to page 13.

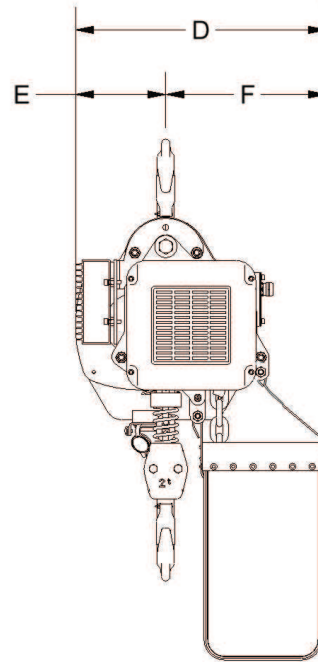
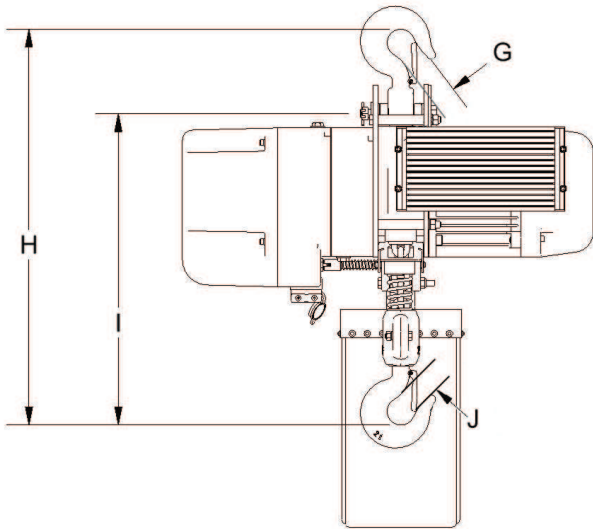
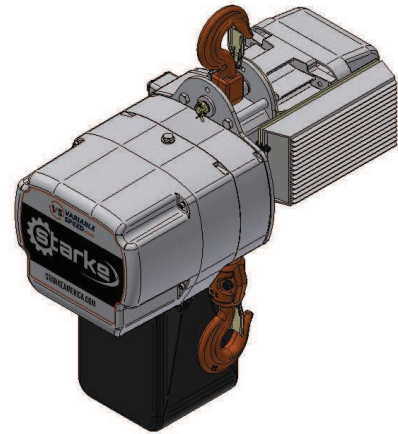
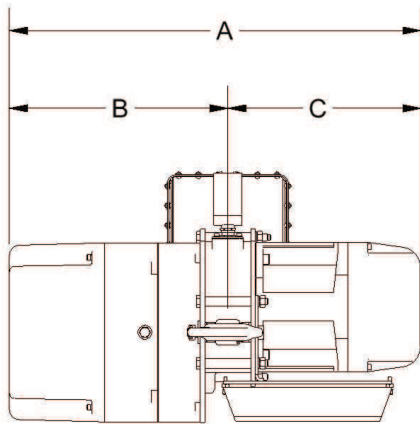
** For Starke Motorized VS Trolleys information, go to page 14.



VLT Micro Drive



- Infinite Speed Adjustment
- Improves Load Control
- Soft Start & Stop
- Adjustable Ramp Up & Down
- Adjustable High & Low Speeds



STK VS Series Dimensions									Headroom Dimensions	
	A	B	C	D	E	F	G	J	(I) Lug Pin	(H) Standard
STK05VS	23 3/16"	13 1/16"	10 1/2"	13 5/16"	4 7/8"	7 1/4"	1 1/8"	1 1/8"	17 15/16"	21 15/16"
STK10VS	24 5/8"	12 13/16"	11 13/16"	12 1/8"	4 15/16"	7 3/16"	1 1/4"	1 1/4"	18 5/8"	23 1/4"
STK20VS	28 13/16"	15 5/16"	13 1/2"	17 9/16"	6 5/16"	11 1/4"	1 1/2"	1 1/2"	21 13/16"	27 11/16"
STK30VS	28 15/16"	15 7/16"	13 1/2"	17 1/2"	6 3/8"	9 15/16"	1 3/4"	1 3/4"	27 5/8"	31 13/16"





BLITZ Series High Speed Electric Chain Hoist

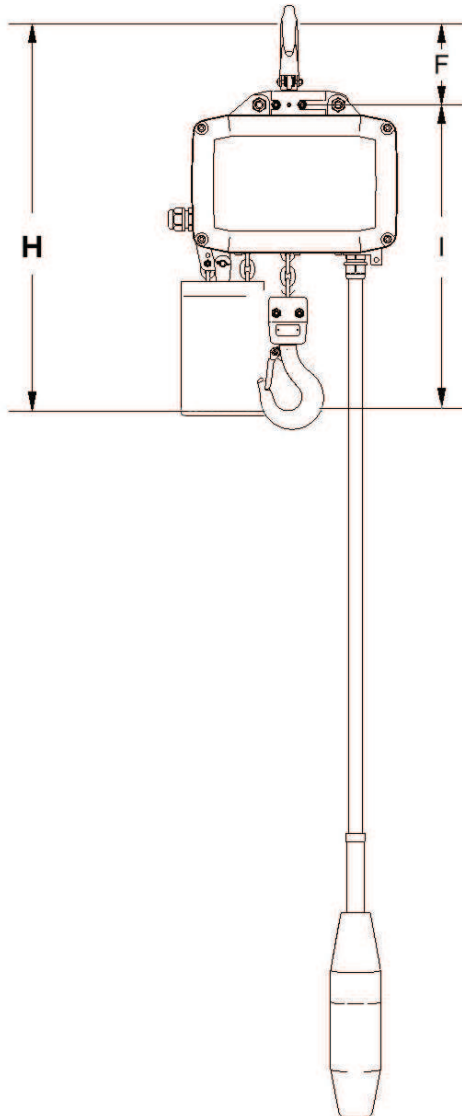
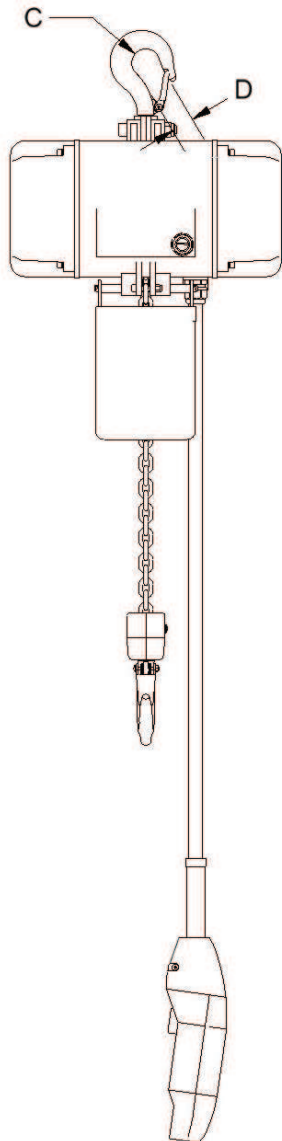
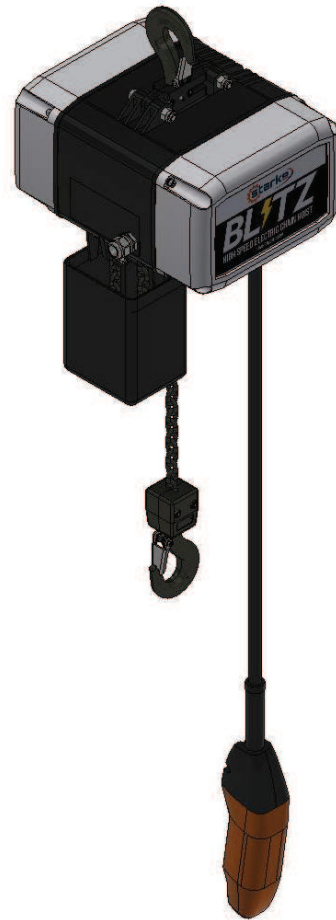
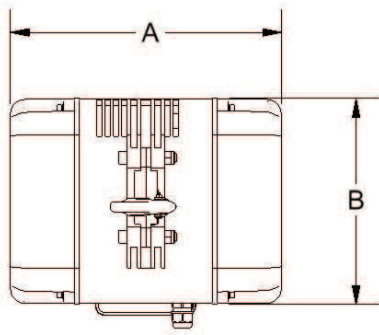


Three Phase / 2-Speed

SKU	Cap	Speed	Lift	Voltage	HP	Amp	Headroom	Net Weight	List
SBH2550-10	250 lb	50/25 FPM	10'	460/3	1	2.1	17"	65 lbs	\$1,942
SBH2550-15	250 lb	50/25 FPM	15'	460/3	1	2.1	17"	67 lbs	\$2,043
SBH2550-20	250 lb	50/25 FPM	20'	460/3	1	2.1	17"	69 lbs	\$2,145
SBH2585-10	250 lb	85/25 FPM	10'	460/3	1	2.1	17"	65 lbs	\$2,107
SBH2585-15	250 lb	85/25 FPM	15'	460/3	1	2.1	17"	67 lbs	\$2,208
SBH2585-20	250 lb	85/25 FPM	20'	460/3	1	2.1	17"	69 lbs	\$2,309
SBH5050-10	500 lb	50/25 FPM	10'	460/3	1	2.1	17"	65 lbs	\$2,043
SBH5050-15	500 lb	50/25 FPM	15'	460/3	1	2.1	17"	67 lbs	\$2,145
SBH5050-20	500 lb	50/25 FPM	20'	460/3	1	2.1	17"	69 lbs	\$2,246

Single Phase / 1-Speed

SKU	Cap	Speed	Lift	Voltage	HP	Amp	Headroom	Net Weight	List
SBS2543-10	250 lb	43 FPM	10'	230/1	0.6	6	17"	65 lbs	\$2,195
SBS2543-15	250 lb	43 FPM	15'	230/1	0.6	6	17"	67 lbs	\$2,296
SBS2543-20	250 lb	43 FPM	20'	230/1	0.6	6	17"	69 lbs	\$2,271
SBS5025-10	500 lb	25 FPM	10'	230/1	0.6	6	17"	65 lbs	\$2,322
SBS5025-15	500 lb	25 FPM	15'	230/1	0.6	6	17"	67 lbs	\$2,423
SBS5025-20	500 lb	25 FPM	20'	230/1	0.6	6	17"	69 lbs	\$2,398
SBS1018-10	1000 lb	18 FPM	10'	230/1	0.6	6	17"	65 lbs	\$2,069
SBS1018-15	1000 lb	18 FPM	15'	230/1	0.6	6	17"	67 lbs	\$2,169
SBS1018-20	1000 lb	18 FPM	20'	230/1	0.6	6	17"	69 lbs	\$2,524



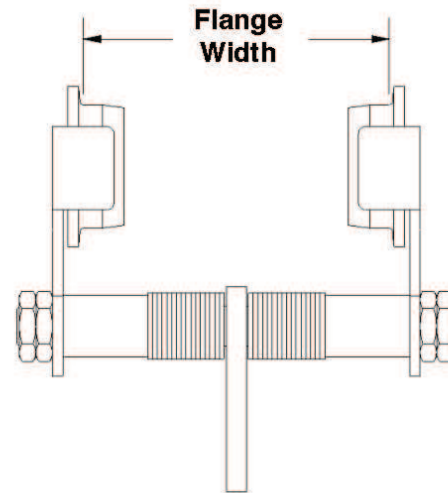
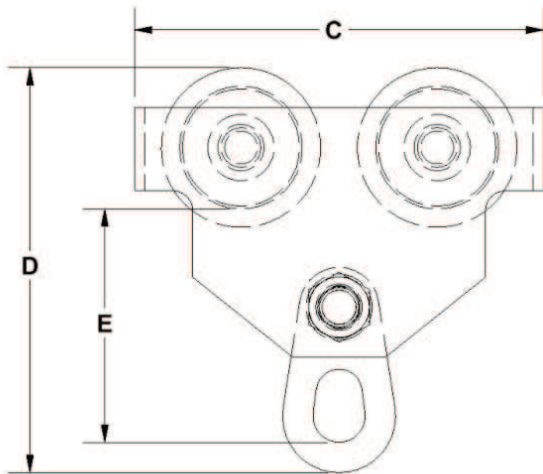
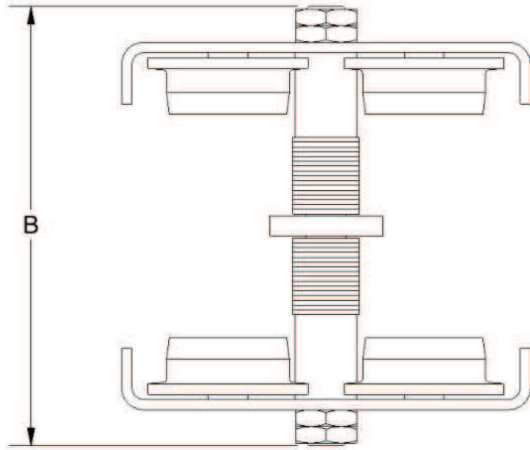
Starke Blitz Dimensions (All Models)					Headroom Dimensions	
A	B	C	D	F	I (Lug Pin)	H (Standard Headroom)
12 7/8"	9 3/4"	1 1/16"	1 1/16"	3 13/16"	13 3/16"	17"

MANUAL HOIST TROLLEYS

SHT Series

Standard Hook-Type Trolley

SKU	Cap	Flange	Min. Beam Height	Min. Radius Curve	Net Weight	List
SHT050	½ Ton	2 3/4" - 8 1/4"	4"	18"	12 lbs	\$143
SHT100	1 Ton	3 7/8" - 8 5/8"	5.5"	39"	21 lbs	\$180
SHT200	2 Ton	3 7/8" - 8 5/8"	5.5"	42"	30 lbs	\$285
SHT300	3 Ton	3 7/8" - 8 5/8"	5.5"	45"	55 lbs	\$434
SHT500	5 Ton	3 7/8" - 8 5/8"	7.9"	79"	79 lbs	\$598



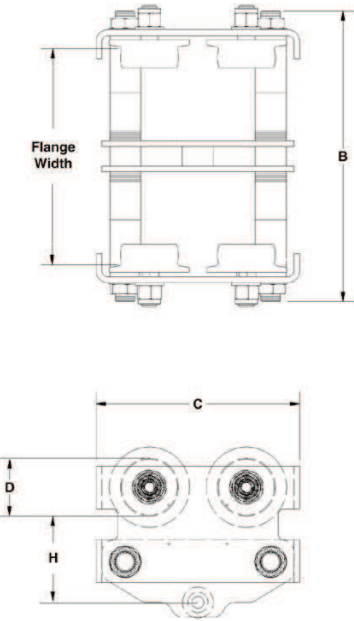
Starke SHT Series Trolley Dimensions

SKU	B	C	D	E
SHT050	8 ¼"	7 ¾"	7 ½"	4 7/16"
SHT100	9 ½"	9 ¾"	8 ¼"	4 5/8"
SHT200	13"	10 ¾"	9 ¼"	5 3/16"
SHT300	11 15/16"	12 9/16"	11 ½"	6 7/16"
SHT500	13 5/16"	14 ½"	13 1/8"	7 ¼"

SPT Series

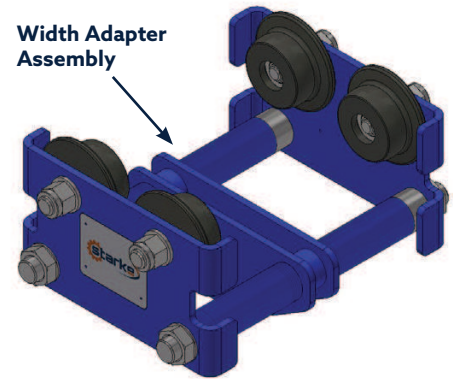
Low Headroom Plain Trolley

Lug Style (Starke Electric Chain Hoists Only)							Clevis Style			Hook-Type Style		
SKU	Cap	Flange Width	Min. Beam Height	Min. Radius Curve	Net Weight	List	SKU	Net Weight	List	SKU	Net Weight	List
SPT025L	¼ Ton	2"- 8 13/16"	4"	27"	21 lbs	\$178	SPT025C	20 lbs	\$233	SPT025H	19 lbs	\$193
SPT050L	½ Ton	2"- 8 13/16"	4"	27"	24 lbs	\$214	SPT050C	23 lbs	\$274	SPT050H	22 lbs	\$229
SPT100L	1 Ton	3"- 8 13/16"	5"	36"	29 lbs	\$247	SPT100C	28 lbs	\$313	SPT100H	27 lbs	\$267
SPT200L	2 Ton	3"- 8 13/16"	6"	45"	49 lbs	\$385	SPT200C	48 lbs	\$462	SPT200H	47 lbs	\$405

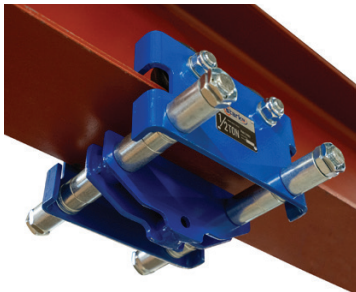


SPT Series Dimensions				
SKU	B	C	D	H
SPT025L	11 3/8"	7 1/2"	2 3/8"	2 1/16"
SPT025C	11 3/8"	7 1/2"	2 3/8"	2 1/4"
SPT025H	11 3/8"	7 1/2"	2 3/8"	2 13/16"
SPT050L	11 3/4"	8 5/16"	2 3/8"	3 1/2"
SPT050C	11 3/4"	8 5/16"	2 3/8"	2 7/16"
SPT050H	11 3/4"	8 5/16"	2 3/8"	3 5/16"
SPT100L	12 3/16"	9 7/8"	2 3/8"	3 7/16"
SPT100C	12 3/16"	9 7/8"	2 3/8"	2 7/16"
SPT100H	12 3/16"	9 7/8"	2 3/8"	3 1/2"
SPT200L	12 7/8"	11 1/16"	3 1/8"	3 7/16"
SPT200C	12 7/8"	11 1/16"	3 1/8"	3"
SPT200H	12 7/8"	11 1/16"	3 1/8"	4 7/16"

Flange Width Adder (For All Styles)			
SKU	Cap	Flange Width Range	List
SPT025FW12	¼ Ton	8 13/16" - 12"	\$166
SPT050FW12	½ Ton	8 13/16" - 12"	\$199
SPT100FW12	1 Ton	8 13/16" - 12"	\$230
SPT200FW12	2 Ton	8 13/16" - 12"	\$358



Lug Mount ("L" - SKU)



*Lug mount adapts directly to Starke STK and Blitz Series Hoists only

Clevis Mount ("C" - SKU)



*Clevis mounts to typical hoist hook on most brands and models to maximize headroom

Hook-Type ("H" - SKU)



*Hook-Type mount allows users to utilize this model for all brands with standard headroom

MOTORIZED HOIST TROLLEYS

SMT Series - VFD Controlled 2-Speed Motorized Trolley

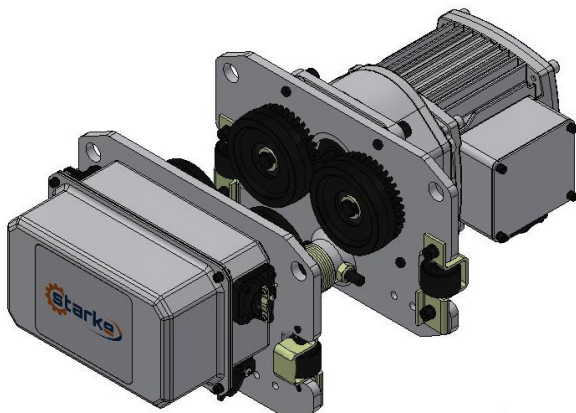
Wide Flange and Standard Beams

Lug Style											Clevis Style	
SKU	Cap	2 - Speed	Voltage	Min. Radius Curve	Flange Range	HP	Amp	Headroom	Net Weight	List	SKU	List
SMT10VSL	1 Ton	82/14 FPM	460	32"	3"- 7 3/4"	1/2	1.1	24"	92 lbs	\$2,251	SMT10VSC	\$2,364
SMT20VSL	2 Ton	82/14 FPM	460	32"	4"- 9 1/4"	1/2	1.1	28"	114 lbs	\$2,377	SMT20VSC	\$2,490
SMT30VSL	3 Ton	82/14 FPM	460	40"	4"- 9 1/2"	1	2.2	29"	123 lbs	\$2,502	SMT30VSC	\$2,655
SMT50VSL	5 Ton	82/14 FPM	460	72"	4"- 10 9/16"	1	2.2	37"	183 lbs	\$2,878	SMT50VSC	\$3,031
Voltage Upgrade from 460 (3-Phase) to 208/230 (3-Phase)			230/3	N/A	Same	Same	X2	N/A	N/A	\$200	N/A	\$200
Voltage Upgrade from 460 (3-Phase) to 230 (Single Phase)			230/1	N/A	Same	Same	X4	N/A	N/A	\$300	N/A	\$300

- All models include VFD controls with adjustable parameters for specific required low and high speeds.
- No pendant included.



Flange Width Adder (up to 12")				Flange Width Adder (up to 12" - 16")		
SKU	Cap	Flange Range	List	SKU	Flange Range	List
SMT10FW12	1 Ton	7 3/4"-12"	\$222	SMT10FW16	12"-16"	\$278
SMT20FW12	2 Ton	9 1/4"-12"	\$258	SMT20FW16	12"-16"	\$319
SMT30FW12	3 Ton	9 1/2"-12"	\$294	SMT30FW16	12"-16"	\$366
SMT50FW12	5 Ton	10 9/16"-12"	\$348	SMT50FW16	12"-16"	\$427

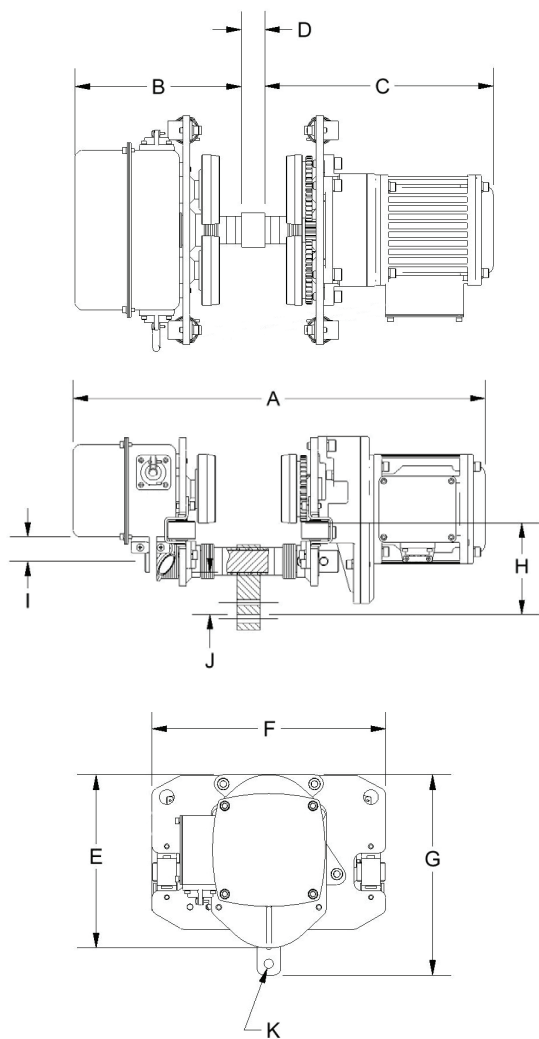


VFD TECHNOLOGY
FEATURING
DANFOSS DRIVES

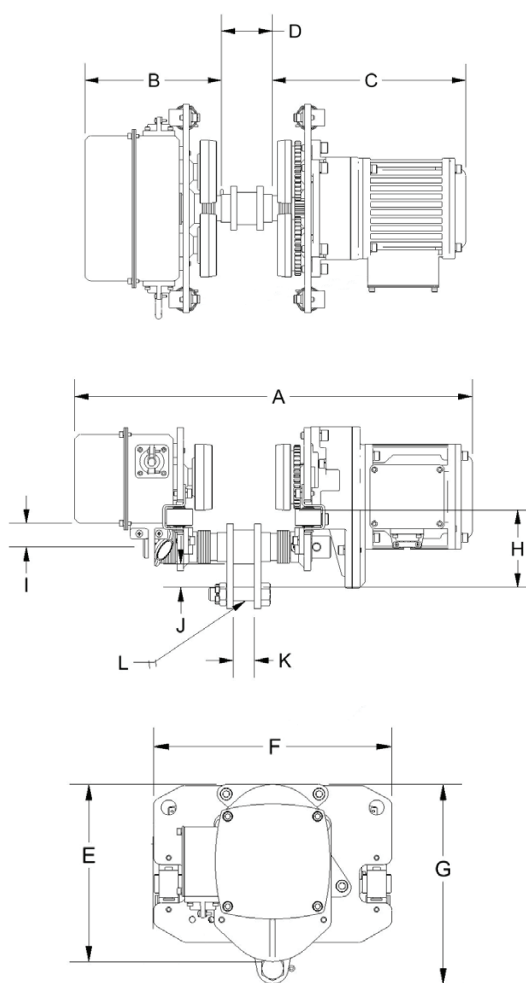
VLT Micro Drive

- Infinite Speed Adjustment
- Improves Load Control
- Soft Start & Stop
- Adjustable Ramp Up & Down
- Adjustable High & Low Speeds

LUG STYLE



CLEVIS STYLE



Starke SMT Trolley (Lug Series) Dimensions

SKU	A	B	C	D	E	F	G	H	I	J	K
SMT10VSL	18 15/16" – 24 11/16"	7 3/16" – 11 7/8"	10 9/16" – 13 7/16"	1 1/4"	9 1/8"	12 5/16"	10 9/16"	5 1/8"	1 5/16"	2 5/16"	1/2"
SMT20VSL	20 5/16" – 25 1/2"	7 1/8" – 8 11/16"	12 1/16" – 13 5/8"	1 1/16"	9 5/8"	12 13/16"	11 1/2"	5 3/8"	1 3/4"	2 1/4"	13/16"
SMT30VSL	20 5/8" – 25 5/8"	7 3/8" – 8 3/4"	12 1/8" – 13 1/2"	1 1/16"	9 13/16"	13 7/16"	12 13/16"	6 1/2"	2 3/16"	2 13/16"	13/16"
SMT50VSL	21 9/16" – 30 9/16"	8 1/16" – 12 1/2"	11 3/4" – 16 1/4"	1 13/16"	9"	15 13/16"	14 5/16"	7 5/16"	3 5/16"	3 1/16"	13/16"

Starke SMT Trolley (Clevis Series) Dimensions

SKU	A	B	C	D	E	F	G	H	I	J	K	L
SMT10VSC	20 1/4" – 24 11/16"	5 15/16" – 8 1/8"	8 13/16" – 11 1/16"	3"	9 1/8"	12 5/16"	10 5/16"	4 1/2"	1 3/8"	1 3/8"	1 3/16"	3/4" BOLT
SMT20VSC	21 5/8" – 25 1/2"	7 5/8" – 9"	10 5/8" – 13 1/4"	3"	9 5/8"	12 13/16"	11 7/16"	5 1/16"	1 3/4"	1 9/16"	1 3/8"	7/8" BOLT
SMT30VSC	22 7/16" – 25 5/8"	7 5/8" – 10 15/16"	11 1/8" – 13 5/16"	3 1/2"	9 13/16"	13 7/16"	12 5/8"	5 7/8"	2 3/16"	1 11/16"	1 1/16"	1" BOLT
SMT50VSC	24" – 29 9/16"	8 1/16" – 10 13/16"	11 3/4" – 14 1/2"	4 1/4"	9"	15 13/16"	15 3/4"	7"	3 5/16"	2 7/8"	2"	1 1/4" BOLT

DRIVE BEAM TRACTOR

Wide Flange Beams Only



VFD TECHNOLOGY FEATURING
DANFOSS DRIVES

VLT Micro Drive

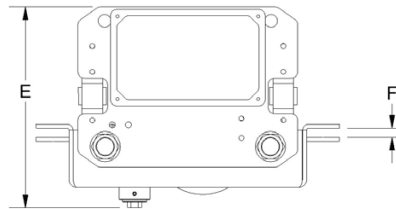
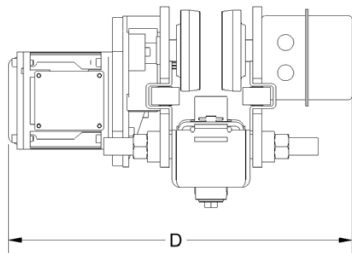
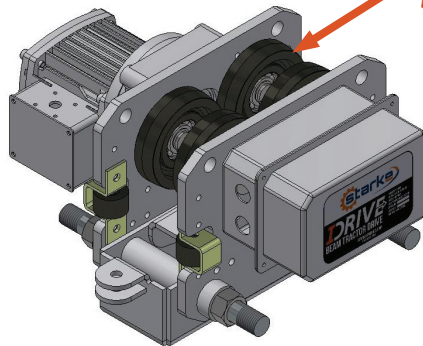
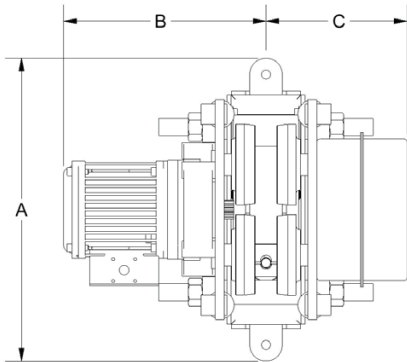
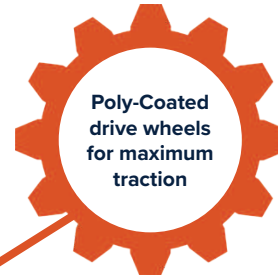
- Infinite Speed Adjustment
- Improves Load Control
- Soft Start & Stop
- Adjustable Ramp Up & Down
- Adjustable High & Low Speeds



SKU	Cap	2 - Speed	Flange Range	HP	Amp	Voltage	Net Weight	List
SBT30VS	3 Ton	82/14 FPM	4" - 8"	1	2.2	460	143 lbs	\$3,269
Voltage Upgrade from 460 (3-Phase) to 208/230 (3-Phase)			4" - 8"	1	4.4	230/3	143 lbs	\$200
Voltage Upgrade from 460 (3-Phase) to 230 (Single Phase)			4" - 8"	1	8.8	230/1	143 lbs	\$300

Flange Width Adder

SKU	Cap	Flange Range	List
SBT30FW12	3 Ton	8"-12"	\$345



I-Drive Beam Tractor Dimensions

	A	B	C	D	E	F
SBT30VS	18 1/2"	12 3/8" MIN 14 1/8" MAX	8 5/8" MIN 10 3/8" MAX	21" MIN 24 1/2" MAX	12 5/16"	9/16"

UPGRADES & CONTROLS

Hoist Chain

SKU	Diameter	Grade	Working Load Limit	Compatible Hoist Models	Net Weight/ft	List
SLC80-05	5.0 mm	#80	1,100 lbs	Starke 250, 500, 1000 Blitz Hoists	0.37 lbs	\$19.72 / ft
SLC80-06	6.3 mm	#80	1,525 lbs	Starke ½ Ton STK & VS Hoists	0.57 lbs	\$21.01 / ft
SLC80-07	7.1 mm	#80	2,200 lbs	Starke 1 Ton STK & VS Hoists	0.77 lbs	\$26.17 / ft
SLC80-10	10.0 mm	#80	4,400 lbs	Starke 2 Ton STK & VS Hoists	1.43lbs	\$28.99 / ft
SLC80-11	11.2 mm	#80	6,600 lbs	Starke 3 - 5 Ton STK & VS Hoists	1.8 lbs	\$31.45 / ft



HOISTS

CRANE COMPONENTS

External Strain Relief Pendant Cable

SKU	Length	# of wires	Net Weight	Price per ft	List
SPCE06-1	per foot	6	0.15 lbs	\$4.26	\$4.47
SPCE06-50	50'	6	7.5 lbs	\$3.67	\$193
SPCE06-100	100'	6	15 lbs	\$3.40	\$357
SPCE06-250	250'	6	37.5 lbs	\$3.13	\$824
SPCE10-1	per foot	10	0.24 lbs	\$7.25	\$7.61
SPCE10-50	50'	10	12 lbs	\$6.23	\$328
SPCE10-100	100'	10	24 lbs	\$5.74	\$603
SPCE10-250	250'	10	60 lbs	\$5.27	\$1,385



6 Wire



10 Wire

ELECTRIFICATION & CONTROLS

Hoist Pendants (Pendant Only)

SKU	Motion	Speed	Type	Net Weight	List
S2B1SP	1 Motion	1 Speed	w/ E Stop	.73 lbs	\$97
S2B2SP	1 Motion	2 Speed	w/ E Stop	.94 lbs	\$122
S2BVSP	1 Motion	Variable	w/ E Stop	1.35 lbs	\$159
S4B1SP	2 Motion	1 Speed	w/ E Stop	1.82 lbs	\$146
S4BVSP	2 Motion	Variable	w/ E Stop	1.96 lbs	\$188
S6B2SP	3 Motion	2 Speed	w/ E Stop	2.34 lbs	\$305
600-60061	10-Pin Pendant Aviation Plug		Female	.13 lbs	\$34
600-60060	10-Pin Pendant Aviation Plug		Male	.155 lbs	\$34

CRANE KITS

SLINGS

SAFETY



S2B1SP



S2BVSPD



S2BVSP



S4B1SP

1 Speed
2 Speed



S6B2SP



Male
(10-Pin)



Female
(10-Pin)

Standard Lift – Canvas Chain Containers

SKU	Tag Number	Frame Size	Bucket Length	Material	Compatible Hoist Models	Net Weight	List
SCC-412B	N/A	4" x 4.5"	12"	Canvas	SBH25 @ 20' Max Lift SBH50 @ 20' Max Lift SBS10 @ 20' Max Lift	1.3 lbs	\$62
SCC-0811	8	6" x 6"	11"	Canvas	STK10 @ 26' Max Lift STK20 @ 13' Max Lift	1.5 lbs	\$77
SCC-1213	12	8.5" x 8.5"	13"	Canvas	STK10 @ 39' Max Lift STK20 @ 20' Max Lift STK30 @ 13' Max Lift	3.5 lbs	\$99
SCC-1416	14	8.5" x 8.5"	16"	Canvas	STK10 @ 46' Max Lift STK20 @ 26' Max Lift STK 30 @ 20' Max Lift	3.8 lbs	\$118
SCC-1622	16	8.5" x 8.5"	22"	Canvas	STK20 @ 52' Max Lift STK30 @ 39' Max Lift STK50 @ 26' Max Lift	4.1 lbs	\$148
SCC-1836	18	8.5" x 8.5"	36"	Canvas	STK20 @ 52' Max Lift STK30 @ 39' Max Lift STK50 @ 26' Max Lift	5.4 lbs	\$191



Extended Lift – Metal Chain Containers

SKU	Frame Size	Bucket Length	Material	Compatible Hoist Models	Net Weight	List
SCC-21M	8" x 16"	21"	Mild Steel	STK20 @ 175' Max Lift STK30 @ 100' Max Lift	30 lbs	\$455
SCC-23M	8" x 16"	23"	Mild Steel	STK20 @ 200' Max Lift STK30 @ 125' Max Lift STK50 @ 60' Max Lift	32 lbs	\$468
SCC-25M	8" x 16"	25"	Painted Steel	STK20 @ 225' Max Lift STK30 @ 150' Max Lift STK50 @ 70' Max Lift	34 lbs	\$486
SCC-27M	8" x 16"	27"	Painted Steel	STK20 @ 250' Max Lift STK30 @ 175' Max Lift STK50 @ 80' Max Lift	36 lbs	\$504
SCC-29M	8" x 16"	29"	Mild Steel	STK30 @ 200' Max Lift STK50 @ 100' Max Lift	38 lbs	\$468



Canvas Hoist Weather Covers

SKU	Material	Compatible Hoist Models	Net Weight/ft	List
SHWC-02S	Canvas	All Blitz Hoists	1 lbs	\$303
SHWC-05M	Canvas	STK05 Series	1.5 lbs	\$352
SHWC-10L	Canvas	STK10 Series	1.75 lbs	\$366
SHWC-20L	Canvas	STK20, 30, 50 Series	2 lbs	\$404





Amp Draw Chart

Horsepower (hp)	60 HZ AC Induction Motor				
	Single Phase		Three Phase		
	115 Volt	230 Volt	208 Volt	230 Volt	460 Volt
1/6	4.4	2.2	~	~	~
1/4	5.8	2.9	~	~	~
1/3	7.2	3.6	~	~	~
1/2	9.8	4.9	2.5	2.2	1.1
3/4	13.8	6.9	3.7	3.2	1.6
1	16	8	4.8	4.2	2.1
1 1/2	20	10	6.9	6	3
2	24	12	7.8	6.8	3.4
3	34	17	11	9.6	4.8
4	44	22	14	12.6	6.3
5	56	28	17.5	15.2	7.6
7 1/2	80	40	25	22	11
10	100	50	32	28	14
15	135	68	48	42	21
20	~	88	62	54	27
25	~	110	78	68	34
30	~	136	92	80	40
40	~	176	120	104	52
50	~	225	144	130	65

SMW SERIES

MONORAIL WIRE ROPE HOIST



Model	Cap	Lift (ft)	HMI Duty Rating	Flange Range	Lifting Speed	Lifting Motor (HP)	Travel Speed	Trolley Motor (HP)	Weight	List
SMW0324-20	3 Ton	20'	H4	8" - 20"	24/4 FPM	4	75/20 FPM	0.5	765 lbs	\$8,211
SMW0324-30	3 Ton	30'	H4	8" - 20"	24/4 FPM	4	75/20 FPM	0.5	801 lbs	\$8,539
SMW0324-40	3 Ton	40'	H4	8" - 20"	24/4 FPM	4	75/20 FPM	0.5	849 lbs	\$8,880
SMW0524-20	5 Ton	20'	H4	8" - 25"	24/4 FPM	8	75/20 FPM	0.85	911 lbs	\$9,035
SMW0524-30	5 Ton	30'	H4	8" - 25"	24/4 FPM	8	75/20 FPM	0.85	959 lbs	\$9,396
SMW0524-40	5 Ton	40'	H4	8" - 25"	24/4 FPM	8	75/20 FPM	0.85	1,019 lbs	\$9,771
SMW0721-20	7.5 Ton	20'	H4	8" - 25"	21/4 FPM	15	75/20 FPM	0.85	1,795 lbs	\$13,720
SMW0721-30	7.5 Ton	30'	H4	8" - 25"	21/4 FPM	15	75/20 FPM	0.85	1,867 lbs	\$14,379
SMW0721-40	7.5 Ton	40'	H4	8" - 25"	21/4 FPM	15	75/20 FPM	0.85	1,964 lbs	\$14,954
SMW1021-20	10 Ton	20'	H4	8" - 25"	21/4 FPM	15	75/20 FPM	1.3	1,795 lbs	\$13,859
SMW1021-30	10 Ton	30'	H4	8" - 25"	21/4 FPM	15	75/20 FPM	1.3	1,867 lbs	\$14,524
SMW1021-40	10 Ton	40'	H4	8" - 25"	21/4 FPM	15	75/20 FPM	1.3	1,964 lbs	\$15,105
SMW1521-20	15 Ton	20'	H3	8" - 25"	21/4 FPM	16.7	75/20 FPM	2	1,850 lbs	\$21,773
SMW1521-30	15 Ton	30'	H3	8" - 25"	21/4 FPM	16.7	75/20 FPM	2	1,923 lbs	\$22,644
SMW1521-40	15 Ton	40'	H3	8" - 25"	21/4 FPM	16.7	75/20 FPM	2	1,996 lbs	\$23,549

- Estimated lead time for non-stock models: 12 Weeks
- Standard voltage for all models listed above is 460V-3 phase.
- Optional: 230V-3 Phase available for all models (except 15 Ton). Expect a 12 week lead time.
- For additional or custom capacity and lift heights, please contact your distributor.
- All models include Load Cell with 3" LED Display showing Live Load Lbs.

Flange Width Adder

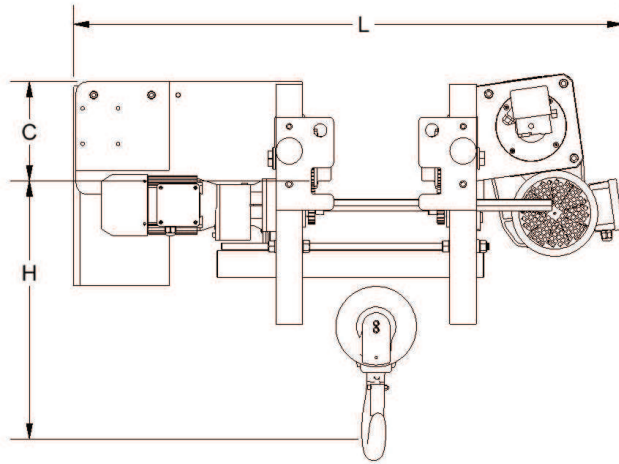
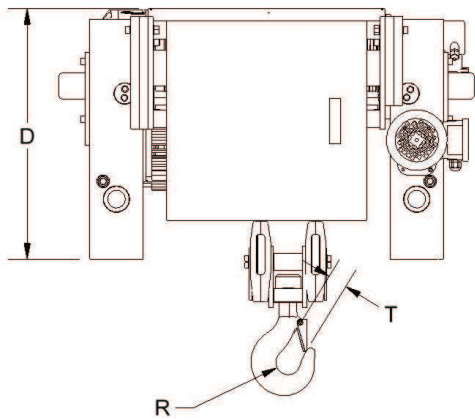
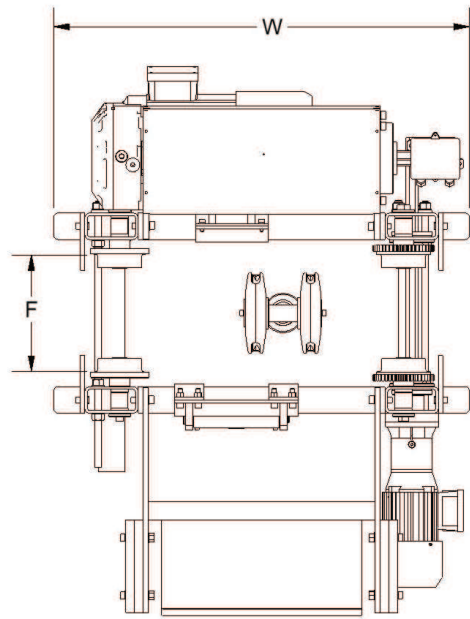
SKU	Cap	Flange Range	List
SMW03FW27	3 Ton	20" - 27"	\$2,056
SMW05FW27	5 Ton	25" - 31"	\$2,271
SMW07FW27	7.5 Ton	25" - 31"	\$2,383
SMW10FW27	10 Ton	25" - 31"	\$2,383
SMW15FW27	15 Ton	25" - 31"	\$2,498



48 Hour Quick Ship | Models Highlighted Above



Load Cell with LED Display



SMW Series Wire Rope Hoist Dimensions

SKU	C	D	F	H	L	R	T	W
SMW0324-20	8 5/8"	21 5/8"	8" Min 25" Max	23" Min	41 1/4" Min 52 7/8" Max	1 1/8"	1 3/4"	36 7/8"
SMW0324-30	8 5/8"	21 5/8"	8" Min 25" Max	23" Min	41 1/4" Min 52 7/8" Max	1 1/8"	1 3/4"	42 3/4"
SMW0524-20	9 5/8"	21 5/8"	8" Min 25" Max	24" Min	48 1/4" Min 53 1/4" Max	1 1/4"	2 1/8"	36 3/8"
SMW0524-30	9 5/8"	21 5/8"	8" Min 25" Max	24" Min	41 1/2" Min 53 1/4" Max	1 1/4"	2 1/8"	42 3/8"
SMW1021-20	12 1/4"	25 3/8"	8" Min 25" Max	30" Min	48 3/8" Min 67" Max	1 5/8"	2 5/8"	42 1/2"
SMW1021-30	12 1/4"	25 3/8"	8" Min 25" Max	30" Min	48 3/8" Min 67" Max	1 5/8"	2 5/8"	48 1/2"
SMW1521-20	11 3/4"	28 5/16"	8" Min 25" Max	41 7/8" Min	57 1/16" Min 69 7/16" Max	2"	3 3/16"	49 1/8"
SMW1521-30	11 3/4"	28 5/16"	8" Min 25" Max	41 7/8" Min	57 1/16" Min 69 7/16" Max	2"	3 3/16"	49 1/8"

STW SERIES

TOP RUNNING WIRE ROPE HOIST



Model	Capacity	Lift	HMI Duty Rating	Lifting Speed	Lifting Motor (HP)	Travel Speed	Trolley Motor (HP)	Gauge (G)	Weight	List
STW0520-20	5 Ton	20'	H4	20/4 FPM	9	75/20 FPM	0.85	60"	1,260 lbs	\$12,260
STW0520-30	5 Ton	30'	H4	20/4 FPM	9	75/20 FPM	0.85	60"	1,309 lbs	\$12,635
STW0520-40	5 Ton	40'	H4	20/4 FPM	9	75/20 FPM	0.85	72"	1,362 lbs	\$12,988
STW0720-20	7.5 Ton	20'	H4	20/4 FPM	13	75/20 FPM	1.3	60"	1,642 lbs	\$16,221
STW0720-30	7.5 Ton	30'	H4	20/4 FPM	13	75/20 FPM	1.3	60"	1,693 lbs	\$16,869
STW0720-40	7.5 Ton	40'	H4	20/4 FPM	13	75/20 FPM	1.3	72"	1,743 lbs	\$17,544
STW1020-20	10 Ton	20'	H4	20/4 FPM	13	75/20 FPM	1.3	60"	1,642 lbs	\$16,385
STW1020-30	10 Ton	30'	H4	20/4 FPM	13	75/20 FPM	1.3	60"	1,693 lbs	\$17,040
STW1020-40	10 Ton	40'	H4	20/4 FPM	13	75/20 FPM	1.3	72"	1,743 lbs	\$17,722
STW1520-20	15 Ton	20'	H4	20/4 FPM	32	75/20 FPM	1.4	60"	2,563 lbs	\$22,675
STW1520-30	15 Ton	30'	H4	20/4 FPM	32	75/20 FPM	1.4	60"	2,629 lbs	\$23,582
STW1520-40	15 Ton	40'	H4	20/4 FPM	32	75/20 FPM	1.4	72"	2,694 lbs	\$24,525
STW2020-20	20 Ton	20'	H3	20/4 FPM	32	75/20 FPM	1.4	60"	2,563 lbs	\$28,745
STW2020-30	20 Ton	30'	H3	20/4 FPM	32	75/20 FPM	1.4	60"	2,629 lbs	\$29,894
STW2020-40	20 Ton	40'	H3	20/4 FPM	32	75/20 FPM	1.4	72"	2,694 lbs	\$31,090

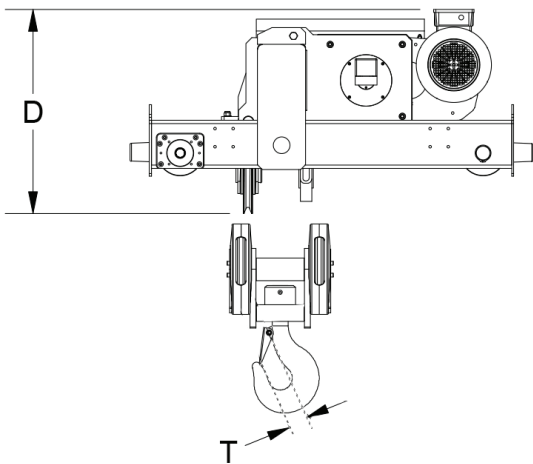
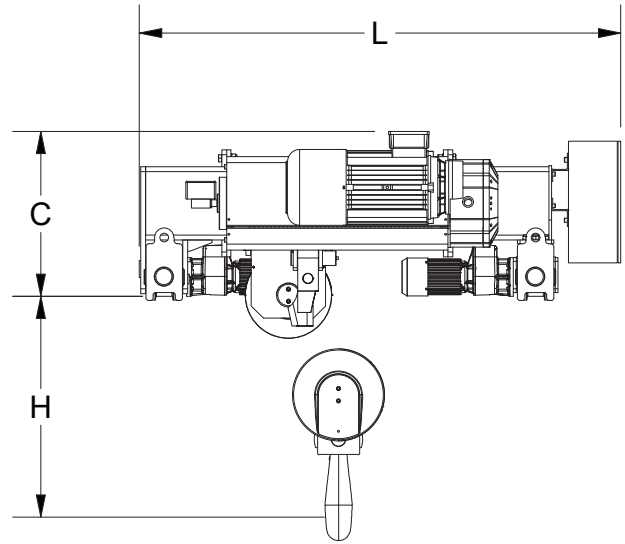
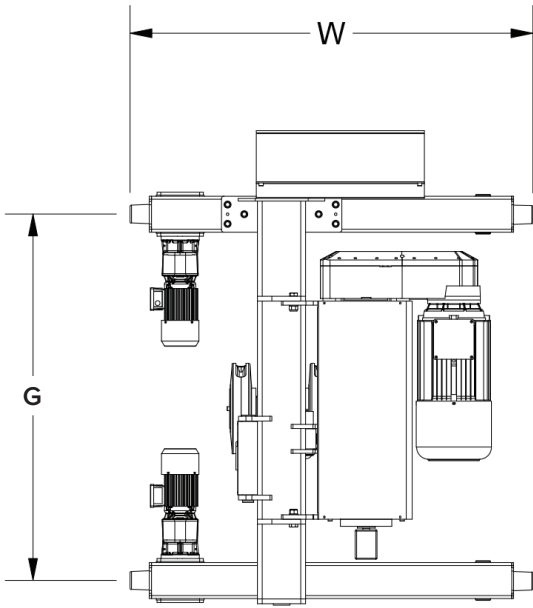
- Estimated lead time for non-stock models: 12 Weeks
- Standard voltage for all models listed above is 460V-3 phase.
- Optional: 230V-3 Phase available for all models (except 15 Ton and 20 Ton). Expect a 12 week lead time.
- For additional or custom capacity, gauge, and lift heights, please contact your distributor.
- All models include Load Cell with 3" LED Display showing Live Load Lbs



Load Cell with LED Display



48 Hour Quick Ship | Models Highlighted Above



STW Series Wire Rope Hoist Dimensions							
SKU	C	D	G	L	H	T	W
STW0520	18 1/2"	21 1/4"	60" MIN	77 3/16" MIN	36 1/8"	2"	54 3/16"
STW0720	21 13/16"	26 1/2"	60" MIN	77 3/16" MIN	36 1/8"	2 1/4"	54 3/16"
STW1020	21 13/16"	26 1/2"	60" MIN	77 3/16" MIN	36 1/8"	2 1/4"	54 3/16"
STW1520	26 5/8"	33 3/8"	60" MIN	77 11/16" MIN	35 11/16"	3"	66"
STW2020	26 5/8"	33 3/8"	60" MIN	77 11/16" MIN	35 11/16"	3"	66"

WIRE ROPE HOIST FEATURES



Precision Lift Gear Box

The gear box is a three stage oil bath, precision geared, and sealed with cast-aluminum covers designed for great heat dissipation and easy maintenance.



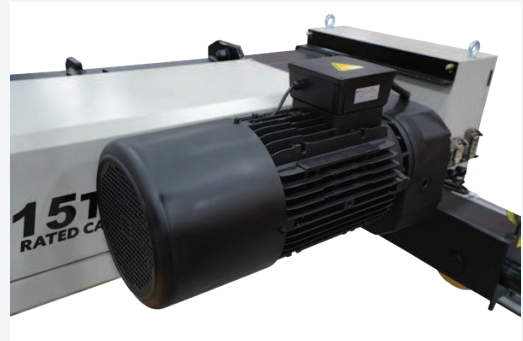
Load Cell with LED Display

All models include a load cell on the wire rope dead end connection that displays live load weight at all times. The 3" display lets the operator know at a glance how many pounds the system is carrying. This adds safety for the operator, longevity of the hoist, and provides the ability to calculate load weights for freight companies.



Wire Rope Drum Guide

The rope drum is deeply grooved with high quality seamless steel tube and a high tensile rope guide for optimum line arrangement, greater safety factor, and longer life.



2-Speed Lifting Motor

All hoists feature a heavy duty 2-speed lifting motor designed for long component life and ease of routine service.



Travel Limit Control

For additional safety, this hoist comes standard with built in travel limit controls for both up and down travel operation.



Control Panel

High quality NEMA 35 control panel. Includes phase protection, motor overheating protection, as well as transformer circuit fuse protection. Includes Danfoss VLT Microdrive to control trolley travel speed allowing adjustable smooth ramp-up options.



VLT Micro Drive

VFD TECHNOLOGY FEATURING DANFOSS DRIVES

- Infinite Speed Adjustment
- Improves Load Control
- Soft Start & Stop
- Adjustable Ramp Up & Down Control of Trolley Motion
- Adjustable High & Low Trolley Motion and Lifting Speeds



4-Part Reeved Hook Block

Robust all-metal lower hook assembly designed for many years of operation even in tough environments. Includes easy to remove covers for maintenance and wire rope replacement. The Hook is designed to freely swivel 360 degrees for convenient load attachment.

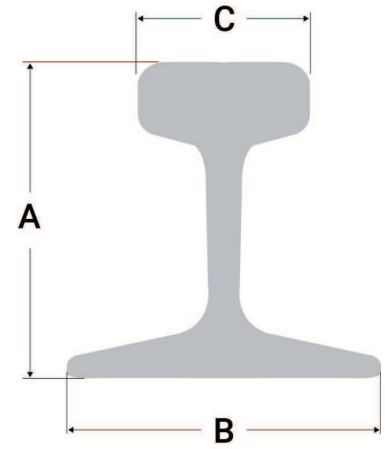


Optional Pendant Control

Quality 2-Speed pendant control with E-Stop. Select 2-Motion for monorail applications and 3-Motion when the hoist is paired with a bridge crane.

ASCE RAIL SPECS

Rail Type	Suggested Bridge Capacity	Recommended Endtrucks	Height (A)	Base Width (B)	Head Width (C)
#25	3T - 5T	STT-130 Series	2 ¾"	2 ¾"	1 ½"
#30	5T - 10T	STT-170 Series	3 ⅛"	3 ⅛"	1 ⅞"
#40	10T - 15T	STT-250 Series	3 ½"	3 ½"	1 ⅞"
#60	15T - 25T	STT-300 Series	4 ¼"	4 ¼"	2 ⅜"

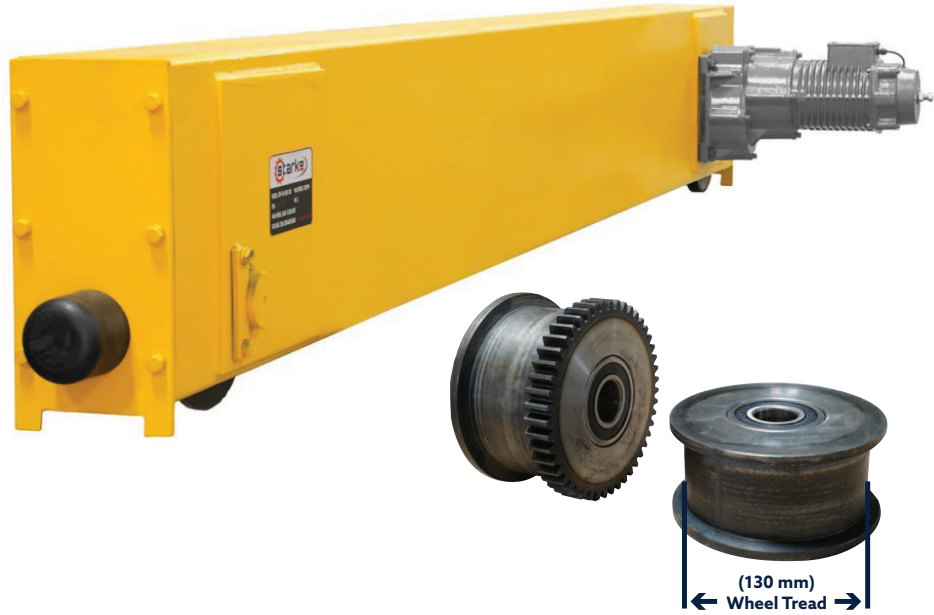
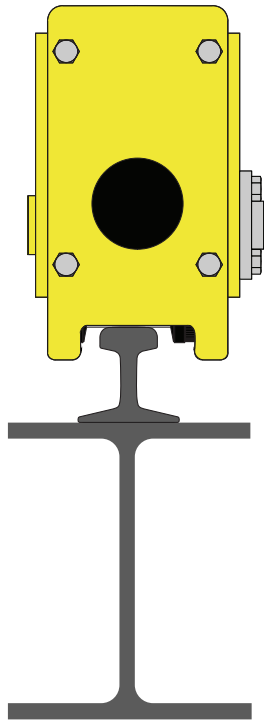
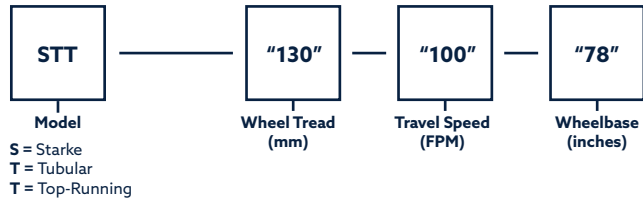


Crane Rail Max Wheel Loading						
STT End Truck Wheel Specs			ASCE Crane Rail Size			
Wheel Diameter		Wheel Hardness	25#	30#	40#	60#
mm	in.	BHN (Brinell Hardness Number)	Wheel Loading (lbs)			
130	5.12	320	7,136			
170	6.69	320	10,800	10,800	10,800	
250	9.84	320		18,056	21,254	23,500
300	11.81	320		21,700	25,489	28,000

CRANE COMPONENTS

Top-Running "STT" Series Motorized Fixed Axle End Trucks Designed for ASCE Rail Runways

Model Number Chart



3 Ton Capacities

SKU	Cap	Speed	Wheel Tread	Wheel Base (in.)	Max Bridge Span (ft.)	Voltage	HP	Amp @ 230/460 (Pair)	Motor Rating	Bearing Life (Hrs)	MAX Wheel Loading (Pair)	Net Weight	List
STT-130-100-42	1-3 Ton	100 FPM	5.12" (130mm)	42"	28'	230/460	1	5.2/2.6	H4	10,000	7,200 lbs	490 lbs	\$4,177
STT-130-100-48	1-3 Ton	100 FPM	5.12" (130mm)	48"	32'	230/460	1	5.2/2.6	H4	10,000	7,200 lbs	512 lbs	\$4,212
STT-130-100-54	1-3 Ton	100 FPM	5.12" (130mm)	54"	36'	230/460	1	5.2/2.6	H4	10,000	7,200 lbs	535 lbs	\$4,247
STT-130-100-60	1-3 Ton	100 FPM	5.12" (130mm)	60"	40'	230/460	1	5.2/2.6	H4	10,000	7,200 lbs	557 lbs	\$4,282
STT-130-100-66	1-3 Ton	100 FPM	5.12" (130mm)	66"	44'	230/460	1	5.2/2.6	H4	10,000	7,200 lbs	580 lbs	\$4,317
STT-130-100-72	1-3 Ton	100 FPM	5.12" (130mm)	72"	48'	230/460	1	5.2/2.6	H4	10,000	7,200 lbs	602 lbs	\$4,352
STT-130-100-78	1-3 Ton	100 FPM	5.12" (130mm)	78"	52'	230/460	1	5.2/2.6	H4	10,000	7,200 lbs	624 lbs	\$6,223
STT-130-100-84	1-3 Ton	100 FPM	5.12" (130mm)	84"	56'	230/460	1	5.2/2.6	H4	10,000	7,200 lbs	647 lbs	\$6,344
STT-130-100-90	1-3 Ton	100 FPM	5.12" (130mm)	90"	60'	230/460	1	5.2/2.6	H4	10,000	7,200 lbs	669 lbs	\$6,465
STT-130-100-96	1-3 Ton	100 FPM	5.12" (130mm)	96"	64'	230/460	1	5.2/2.6	H4	10,000	7,200 lbs	692 lbs	\$6,587

- All End Truck Sets ship prime painted gray
- End truck wheel base should be your bridge length in inches divided by 8
- Motor includes holding brake

Top-Running "STT" Series Motorized End Trucks 5 Ton - 10 Ton Capacities

SKU	Cap	Speed	Wheel Tread	Wheel Base (in.)	Max Bridge Span (ft.)	Voltage	HP	Amp @ 230/460 (Pair)	Motor Rating	Bearing Life (Hrs)	MAX Wheel Loading (Pair)	Net Weight	List
STT-170-150-48	5 Ton	150 FPM	6.69" (170mm)	48"	32'	230/460	1.5	7.8/3.9	H4	10,000	10,800 lbs	625 lbs	\$5,828
STT-170-150-54	5 Ton	150 FPM	6.69" (170mm)	54"	36'	230/460	1.5	7.8/3.9	H4	10,000	10,800 lbs	657 lbs	\$5,857
STT-170-150-60	5 Ton	150 FPM	6.69" (170mm)	60"	40'	230/460	1.5	7.8/3.9	H4	10,000	10,800 lbs	688 lbs	\$5,886
STT-170-150-66	5 Ton	150 FPM	6.69" (170mm)	66"	44'	230/460	1.5	7.8/3.9	H4	10,000	10,800 lbs	720 lbs	\$5,915
STT-170-150-72	5 Ton	150 FPM	6.69" (170mm)	72"	48'	230/460	1.5	7.8/3.9	H4	10,000	10,800 lbs	752 lbs	\$5,944
STT-170-150-78	5 Ton	150 FPM	6.69" (170mm)	78"	52'	230/460	1.5	7.8/3.9	H4	10,000	10,800 lbs	784 lbs	\$5,973
STT-170-150-84	5 Ton	150 FPM	6.69" (170mm)	84"	56'	230/460	1.5	7.8/3.9	H4	10,000	10,800 lbs	816 lbs	\$6,002
STT-170-150-90	5 Ton	150 FPM	6.69" (170mm)	90"	60'	230/460	1.5	7.8/3.9	H4	10,000	10,800 lbs	848 lbs	\$6,031
STT-170-150-96	5 Ton	150 FPM	6.69" (170mm)	96"	64'	230/460	1.5	7.8/3.9	H4	10,000	10,800 lbs	880 lbs	\$6,060
STT-170-150-102	5 Ton	150 FPM	6.69" (170mm)	102"	68'	230/460	1.5	7.8/3.9	H4	10,000	10,800 lbs	911 lbs	\$8,210
STT-170-150-108	5 Ton	150 FPM	6.69" (170mm)	108"	72'	230/460	1.5	7.8/3.9	H4	10,000	10,800 lbs	943 lbs	\$8,374
STT-170-150-114	5 Ton	150 FPM	6.69" (170mm)	114"	76'	230/460	1.5	7.8/3.9	H4	10,000	10,800 lbs	975 lbs	\$8,538
STT-170-150-120	5 Ton	150 FPM	6.69" (170mm)	120"	80'	230/460	1.5	7.8/3.9	H4	10,000	10,800 lbs	1,007 lbs	\$8,700
STT-170-150-126	5 Ton	150 FPM	6.69" (170mm)	126"	84'	230/460	1.5	7.8/3.9	H4	10,000	10,800 lbs	1,039 lbs	\$8,865
STT-250-150-54	10 Ton	150 FPM	9.84" (250mm)	54"	36'	230/460	2	10/5	H4	10,000	23,500 lbs	1,281 lbs	\$7,787
STT-250-150-60	10 Ton	150 FPM	9.84" (250mm)	60"	40'	230/460	2	10/5	H4	10,000	23,500 lbs	1,330 lbs	\$7,840
STT-250-150-72	10 Ton	150 FPM	9.84" (250mm)	72"	48'	230/460	2	10/5	H4	10,000	23,500 lbs	1,379 lbs	\$7,893
STT-250-150-78	10 Ton	150 FPM	9.84" (250mm)	78"	52'	230/460	2	10/5	H4	10,000	23,500 lbs	1,427 lbs	\$7,946
STT-250-150-84	10 Ton	150 FPM	9.84" (250mm)	84"	56'	230/460	2	10/5	H4	10,000	23,500 lbs	1,476 lbs	\$7,999
STT-250-150-90	10 Ton	150 FPM	9.84" (250mm)	90"	60'	230/460	2	10/5	H4	10,000	23,500 lbs	1,525 lbs	\$8,052
STT-250-150-96	10 Ton	150 FPM	9.84" (250mm)	96"	64'	230/460	2	10/5	H4	10,000	23,500 lbs	1,574 lbs	\$8,105
STT-250-150-102	10 Ton	150 FPM	9.84" (250mm)	102"	68'	230/460	2	10/5	H4	10,000	23,500 lbs	1,623 lbs	\$8,158
STT-250-150-108	10 Ton	150 FPM	9.84" (250mm)	108"	72'	230/460	2	10/5	H4	10,000	23,500 lbs	1,672 lbs	\$8,211
STT-250-150-114	10 Ton	150 FPM	9.84" (250mm)	114"	76'	230/460	2	10/5	H4	10,000	23,500 lbs	1,721 lbs	\$8,264
STT-250-150-120	10 Ton	150 FPM	9.84" (250mm)	120"	80'	230/460	2	10/5	H4	10,000	23,500 lbs	1,770 lbs	\$8,317
STT-250-150-126	10 Ton	150 FPM	9.84" (250mm)	126"	84'	230/460	2	10/5	H4	10,000	23,500 lbs	1,818 lbs	\$11,819

**Top-Running "STT" Series
Motorized End Trucks**
10 Ton - 15 Ton Capacities

SKU	Cap	Speed	Wheel Tread	Wheel Base (in.)	Max Bridge Span (ft.)	Voltage	HP	Amp @ 230/460 (Pair)	Motor Rating	Bearing Life (Hrs)	MAX Wheel Loading (Pair)	Net Weight	List
STT-250-150-132	10 Ton	150 FPM	9.84" (250mm)	132"	88'	230/460	2	10/5	H4	10,000	23,500 lbs	1,867 lbs	\$11,982
STT-250-150-138	10 Ton	150 FPM	9.84" (250mm)	138"	92'	230/460	2	10/5	H4	10,000	23,500 lbs	1,916 lbs	\$12,145
STT-250-150-144	10 Ton	150 FPM	9.84" (250mm)	144"	96'	230/460	2	10/5	H4	10,000	23,500 lbs	1,965 lbs	\$12,308
STT-250-150-150	10 Ton	150 FPM	9.84" (250mm)	150"	100'	230/460	2	10/5	H4	10,000	23,500 lbs	2,014 lbs	\$12,471
STT-300-200-60	15 Ton	200 FPM	11.81" (300mm)	60"	40'	230/460	5	26/13	H4	10000	28,000 lbs	1,822 lbs	\$11,616
STT-300-200-66	15 Ton	200 FPM	11.81" (300mm)	66"	44'	230/460	5	26/13	H4	10000	28,000 lbs	1,880 lbs	\$11,685
STT-300-200-78	15 Ton	200 FPM	11.81" (300mm)	78"	52'	230/460	5	26/13	H4	10000	28,000 lbs	1,939 lbs	\$11,754
STT-300-200-84	15 Ton	200 FPM	11.81" (300mm)	84"	56'	230/460	5	26/13	H4	10000	28,000 lbs	1,997 lbs	\$11,823
STT-300-200-90	15 Ton	200 FPM	11.81" (300mm)	90"	60'	230/460	5	26/13	H4	10000	28,000 lbs	2,055 lbs	\$11,892
STT-300-200-96	15 Ton	200 FPM	11.81" (300mm)	96"	64'	230/460	5	26/13	H4	10000	28,000 lbs	2,113 lbs	\$11,961
STT-300-200-102	15 Ton	200 FPM	11.81" (300mm)	102"	68'	230/460	5	26/13	H4	10000	28,000 lbs	2,171 lbs	\$12,030
STT-300-200-108	15 Ton	200 FPM	11.81" (300mm)	108"	72'	230/460	5	26/13	H4	10000	28,000 lbs	2,229 lbs	\$12,099
STT-300-200-114	15 Ton	200 FPM	11.81" (300mm)	114"	76'	230/460	5	26/13	H4	10000	28,000 lbs	2,287 lbs	\$12,168
STT-300-200-120	15 Ton	200 FPM	11.81" (300mm)	120"	80'	230/460	5	26/13	H4	10000	28,000 lbs	2,345 lbs	\$12,237
STT-300-200-126	15 Ton	200 FPM	11.81" (300mm)	126"	84'	230/460	5	26/13	H4	10000	28,000 lbs	2,403 lbs	\$12,306
STT-300-200-132	15 Ton	200 FPM	11.81" (300mm)	132"	88'	230/460	5	26/13	H4	10000	28,000 lbs	2,461 lbs	\$12,375
STT-300-200-138	15 Ton	200 FPM	11.81" (300mm)	138"	92'	230/460	5	26/13	H4	10000	28,000 lbs	2,520 lbs	\$12,444
STT-300-200-144	15 Ton	200 FPM	11.81" (300mm)	144"	96'	230/460	5	26/13	H4	10000	28,000 lbs	2,578 lbs	\$13,729
STT-300-200-150	15 Ton	200 FPM	11.81" (300mm)	150"	100'	230/460	5	26/13	H4	10000	28,000 lbs	2,636 lbs	\$13,944
STT-300-200-156	15 Ton	200 FPM	11.81" (300mm)	156"	104'	230/460	5	26/13	H4	10000	28,000 lbs	2,694 lbs	\$14,160
STT-300-200-162	15 Ton	200 FPM	11.81" (300mm)	162"	108'	230/460	5	26/13	H4	10000	28,000 lbs	2,752 lbs	\$14,375
STT-300-200-168	15 Ton	200 FPM	11.81" (300mm)	168"	112'	230/460	5	26/13	H4	10000	28,000 lbs	2,810 lbs	\$14,590
STT-300-200-174	15 Ton	200 FPM	11.81" (300mm)	174"	116'	230/460	5	26/13	H4	10000	28,000 lbs	2,868 lbs	\$14,805
STT-300-200-180	15 Ton	200 FPM	11.81" (300mm)	180"	120'	230/460	5	26/13	H4	10000	28,000 lbs	2,926 lbs	\$15,021
STT-300-200-186	15 Ton	200 FPM	11.81" (300mm)	186"	124'	230/460	5	26/13	H4	10000	28,000 lbs	2,984 lbs	\$15,236
STT-300-200-192	15 Ton	200 FPM	11.81" (300mm)	192"	128'	230/460	5	26/13	H4	10000	28,000 lbs	3,042 lbs	\$15,451

HOISTS

CRANE COMPONENTS

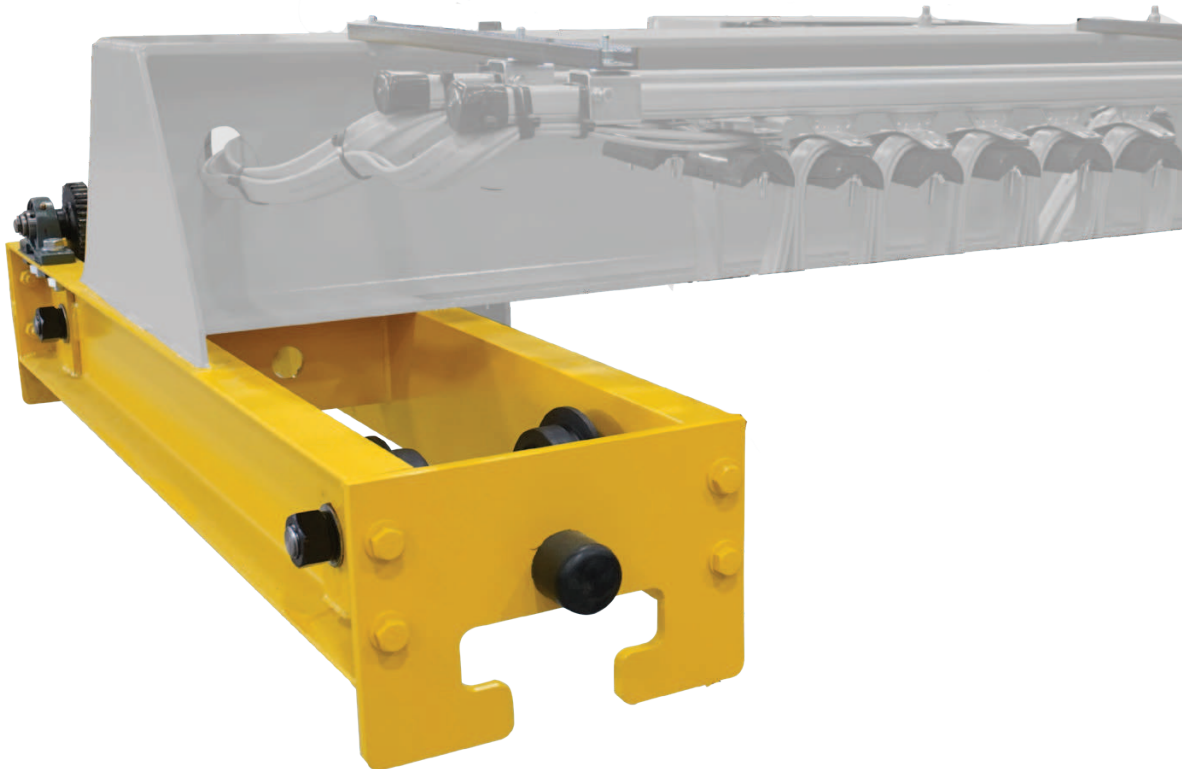
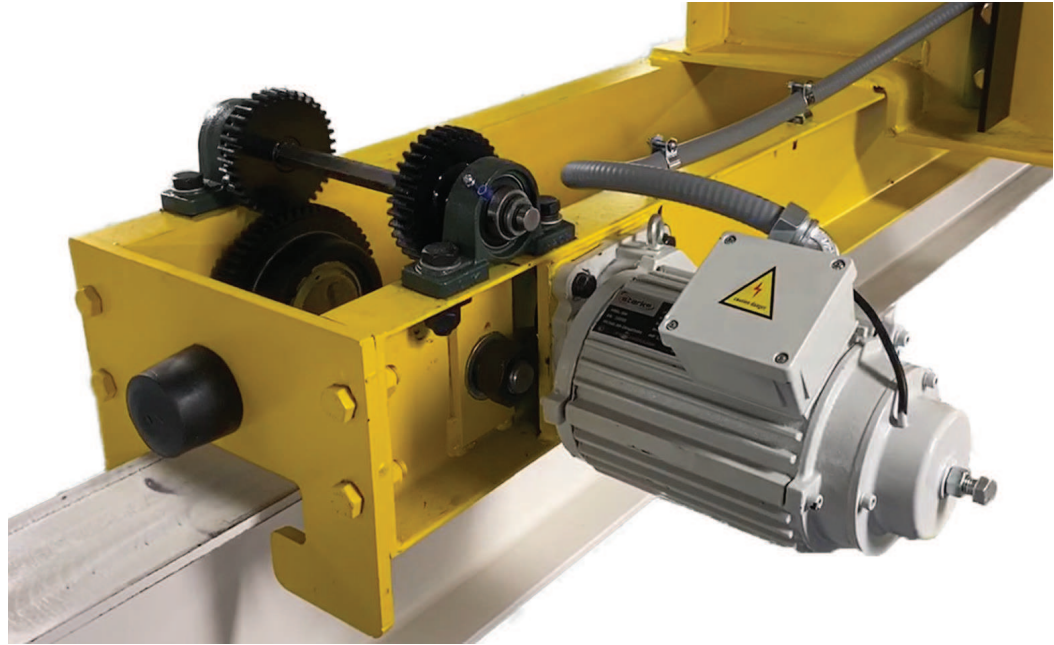
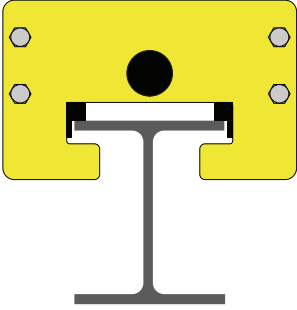
ELECTRIFICATION & CONTROLS

CRANE KITS

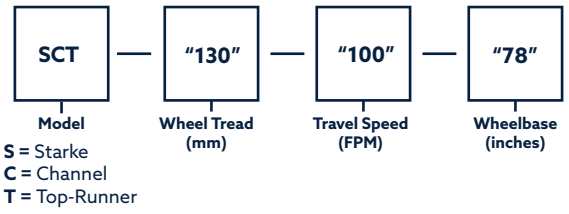
SLINGS

SAFETY

Top Runner "SCT" Series Motorized End Truck Set Designed for WF Beam



Model Number Chart



Top Runner "SCT" Series Motorized End Truck Set

1 - 2 Ton Capacities

SKU	Cap	Speed	Wheel Tread	Wheel Base	Max Span	Voltage	HP	Amp @ 230/460 (Pair)	Motor Rating	Bearing Life (Hrs)	MAX Wheel Loading (Pair)	Net Weight	List
SCT-110-100-42	1-2 Ton	100 FPM	4.33" (110mm)	42"	28'	230/460	0.5	3.6/1.8	H4	10,000	5,100 lbs	394 lbs	\$4,093
SCT-110-100-48	1-2 Ton	100 FPM	4.33" (110mm)	48"	32'	230/460	0.5	3.6/1.8	H4	10,000	5,100lbs	411 lbs	\$4,158
SCT-110-100-54	1-2 Ton	100 FPM	4.33" (110mm)	54"	36'	230/460	0.5	3.6/1.8	H4	10,000	5,100 lbs	429 lbs	\$4,222
SCT-110-100-60	1-2 Ton	100 FPM	4.33" (110mm)	60"	40'	230/460	0.5	3.6/1.8	H4	10,000	5,100lbs	446 lbs	\$4,286
SCT-110-100-66	1-2 Ton	100 FPM	4.33" (110mm)	66"	44'	230/460	0.5	3.6/1.8	H4	10,000	5,100 lbs	465 lbs	\$4,350
SCT-110-100-72	1-2 Ton	100 FPM	4.33" (110mm)	72"	48'	230/460	0.5	3.6/1.8	H4	10,000	5,100lbs	533 lbs	\$4,414
SCT-110-100-78	1-2 Ton	100 FPM	4.33" (110mm)	78"	52'	230/460	0.5	3.6/1.8	H4	10,000	5,100 lbs	554 lbs	\$4,478

- This model is designed to run directly on top of WF Beam without using ASCE Rail and is generally recommended for Class C or less
- **End user to specify actual flange width of runway beam.**
- Standard available width range: 4"- 10"
- All End Truck Sets ship prime painted gray
- End truck wheel base should be your bridge length in inches divided by 8
- Motor includes holding brake

2 - 3 Ton Capacities

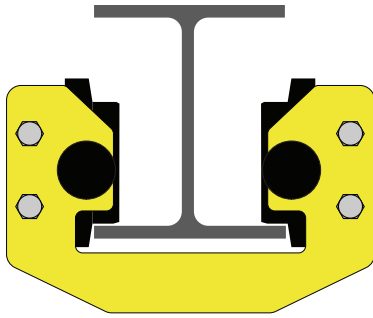
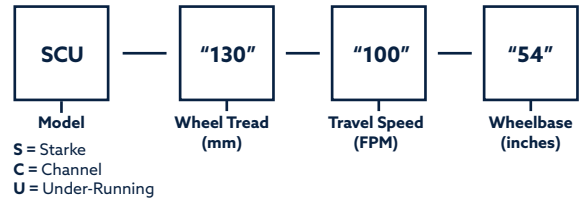
SKU	Cap	Speed	Wheel Tread	Wheel Base	Max Span	Voltage	HP	Amp @ 230/460 (Pair)	Motor Rating	Bearing Life (Hrs)	MAX Wheel Loading (Pair)	Net Weight	List
SCT-130-100-48	2-3 Ton	100 FPM	5.12"	48"	32'	230/460	1	5.2/2.6	H4	10,000	8,500 lbs	563 lbs	\$5,197
SCT-130-100-54	2-3 Ton	100 FPM	5.12"	54"	36'	230/460	1	5.2/2.6	H4	10,000	8,500 lbs	587 lbs	\$5,277
SCT-130-100-60	2-3 Ton	100 FPM	5.12"	60"	40'	230/460	1	5.2/2.6	H4	10,000	8,500 lbs	611 lbs	\$5,357
SCT-130-100-66	2-3 Ton	100 FPM	5.12"	66"	44'	230/460	1	5.2/2.6	H4	10,000	8,500 lbs	636lbs	\$5,437
SCT-130-100-72	2-3 Ton	100 FPM	5.12"	72"	48'	230/460	1	5.2/2.6	H4	10,000	8,500 lbs	730 lbs	\$5,517
SCT-130-100-78	2-3 Ton	100 FPM	5.12"	78"	52'	230/460	1	5.2/2.6	H4	10,000	8,500 lbs	759 lbs	\$5,597
SCT-130-100-84	2-3 Ton	100 FPM	5.12"	84"	56'	230/460	1	5.2/2.6	H4	10,000	8,500 lbs	788 lbs	\$5,677

- This model is designed to run directly on top of WF Beam without using ASCE Rail and is generally recommended for Class C or less
- **End user to specify actual flange width of runway beam.**
- Standard available width range: 4"- 10"
- All End Truck Sets ship prime painted gray
- End truck wheel base should be your bridge length in inches divided by 8
- Motor includes holding brake

Under-Running "SCU" Series Motorized End Truck Set

Designed for WF or I-Beam

Model Number Chart



½ - 2 Ton Capacity

SKU	Cap	Speed	Wheel Tread	Wheel Base	Max Span	Voltage	HP	Amp @ 230/460 (Pair)	Motor Rating	Bearing Life (Hrs)	MAX Wheel Loading (Pair)	Net Weight (Set)	List
SCU-110-100-42	½ - 2 Ton	100 FPM	4.33" (110mm)	42"	28'	230/460	0.5	3.6/1.8	H4	10,000	5,100 lbs	394 lbs	\$4,113
SCU-110-100-48	½ - 2 Ton	100 FPM	4.33" (110mm)	48"	32'	230/460	0.5	3.6/1.8	H4	10,000	5,100 lbs	411 lbs	\$4,177
SCU-110-100-54	½ - 2 Ton	100 FPM	4.33" (110mm)	54"	36'	230/460	0.5	3.6/1.8	H4	10,000	5,100 lbs	429 lbs	\$4,242
SCU-110-100-60	½ - 2 Ton	100 FPM	4.33" (110mm)	60"	40'	230/460	0.5	3.6/1.8	H4	10,000	5,100 lbs	446 lbs	\$4,306
SCU-110-100-66	½ - 2 Ton	100 FPM	4.33" (110mm)	66"	44'	230/460	0.5	3.6/1.8	H4	10,000	5,100 lbs	465 lbs	\$4,370
SCU-110-100-72	½ - 2 Ton	100 FPM	4.33" (110mm)	72"	48'	230/460	0.5	3.6/1.8	H4	10,000	5,100 lbs	533 lbs	\$4,434
SCU-110-100-78	½ - 2 Ton	100 FPM	4.33" (110mm)	78"	52'	230/460	0.5	3.6/1.8	H4	10,000	5,100 lbs	554 lbs	\$4,498
SCU-110-100-84	½ - 2 Ton	100 FPM	4.33" (110mm)	84"	56'	230/460	0.5	3.6/1.8	H4	10,000	5,100 lbs	575 lbs	\$4,562
SCU-110-100-90	½ - 2 Ton	100 FPM	4.33" (110mm)	90"	60'	230/460	0.5	3.6/1.8	H4	10,000	5,100 lbs	596 lbs	\$4,626

- All End Truck Sets ship prime painted gray
- **End user to specify actual flange width of runway beam.**
- End truck wheel base should be your bridge length in inches divided by 8
- Motor includes holding brake

Under-Running "SCU" Series Motorized End Truck Set

2 - 3 Ton Capacity

SKU	Cap	Speed	Wheel Tread	Wheel Base	Max Span	Voltage	HP	Amp @ 230/460 (Pair)	Motor Rating	Bearing Life (Hrs)	MAX Wheel Loading (Pair)	Net Weight (Set)	List
SCU-130-100-48	2 - 3 Ton	100 FPM	5.12" (130mm)	48"	32'	230/460	1	5.2/2.6	H4	10,000	8,500 lbs	633 lbs	\$5,222
SCU-130-100-54	2 - 3 Ton	100 FPM	5.12" (130mm)	54"	36'	230/460	1	5.2/2.6	H4	10,000	8,500 lbs	662 lbs	\$5,302
SCU-130-100-60	2 - 3 Ton	100 FPM	5.12" (130mm)	60"	40'	230/460	1	5.2/2.6	H4	10,000	8,500 lbs	691 lbs	\$5,382
SCU-130-100-66	2 - 3 Ton	100 FPM	5.12" (130mm)	66"	44'	230/460	1	5.2/2.6	H4	10,000	8,500 lbs	720 lbs	\$5,462
SCU-130-100-72	2 - 3 Ton	100 FPM	5.12" (130mm)	72"	48'	230/460	1	5.2/2.6	H4	10,000	8,500 lbs	751 lbs	\$5,542
SCU-130-100-78	2 - 3 Ton	100 FPM	5.12" (130mm)	78"	52'	230/460	1	5.2/2.6	H4	10,000	8,500 lbs	780 lbs	\$5,622
SCU-130-100-84	2 - 3 Ton	100 FPM	5.12" (130mm)	84"	56'	230/460	1	5.2/2.6	H4	10,000	8,500 lbs	809 lbs	\$5,702
SCU-130-100-90	2 - 3 Ton	100 FPM	5.12" (130mm)	90"	60'	230/460	1	5.2/2.6	H4	10,000	8,500 lbs	838 lbs	\$5,782

- All End Truck Sets ship prime painted gray
- **End user to specify actual flange width of runway beam.**
- End truck wheel base should be your bridge length in inches divided by 8
- Motor includes holding brake

5 Ton Capacity

SKU	Cap	Speed	Wheel Tread	Wheel Base	Max Span	Voltage	HP	Amp @ 230/460 (Pair)	Motor Rating	Bearing Life (Hrs)	MAX Wheel Loading (Pair)	Net Weight (Set)	List
SCU-160-100-54	5 Ton	100 FPM	6.29" (160mm)	54"	36'	230/460	1.5	7.8/3.9	H4	10,000	15,300 lbs	990 lbs	\$6,733
SCU-160-100-60	5 Ton	100 FPM	6.29" (160mm)	60"	40'	230/460	1.5	7.8/3.9	H4	10,000	15,300 lbs	1,090 lbs	\$6,835
SCU-160-100-66	5 Ton	100 FPM	6.29" (160mm)	66"	44'	230/460	1.5	7.8/3.9	H4	10,000	15,300 lbs	1,190 lbs	\$6,937
SCU-160-100-72	5 Ton	100 FPM	6.29" (160mm)	72"	48'	230/460	1.5	7.8/3.9	H4	10,000	15,300 lbs	1,290 lbs	\$7,039
SCU-160-100-78	5 Ton	100 FPM	6.29" (160mm)	78"	52'	230/460	1.5	7.8/3.9	H4	10,000	15,300 lbs	1,390 lbs	\$7,140
SCU-160-100-84	5 Ton	100 FPM	6.29" (160mm)	84"	56'	230/460	1.5	7.8/3.9	H4	10,000	15,300 lbs	1,490 lbs	\$7,242
SCU-160-100-90	5 Ton	100 FPM	6.29" (160mm)	90"	60'	230/460	1.5	7.8/3.9	H4	10,000	15,300 lbs	1,590 lbs	\$7,344
SCU-160-100-96	5 Ton	100 FPM	6.29" (160mm)	96"	64'	230/460	1.5	7.8/3.9	H4	10,000	15,300 lbs	1,690 lbs	\$7,445

- All End Truck Sets ship prime painted gray
- **End user to specify actual flange width of runway beam.**
- End truck wheel base should be your bridge length in inches divided by 8
- Motor includes holding brake

Under-Running "SCU" Series Motorized End Truck Set

7 1/2 - 10 Ton Capacity

SKU	Cap	Speed	Wheel Tread	Wheel Base	Max Span	Voltage	HP	Amp @ 230/460 (Pair)	Motor Rating	Bearing Life (Hrs)	MAX Wheel Loading (Pair)	Net Weight (Set)	List
SCU-190-100-54	7.5 - 10 Ton	100 FPM	7.48" (190mm)	54"	36'	230/460	2	10/5	H4	10,000	25,500 lbs	1,625 lbs	\$9,427
SCU-190-100-60	7.5 - 10 Ton	100 FPM	7.48" (190mm)	60"	40'	230/460	2	10/5	H4	10,000	25,500 lbs	1,695 lbs	\$9,569
SCU-190-100-66	7.5 - 10 Ton	100 FPM	7.48" (190mm)	66"	44'	230/460	2	10/5	H4	10,000	25,500 lbs	1,765 lbs	\$9,712
SCU-190-100-72	7.5 - 10 Ton	100 FPM	7.48" (190mm)	72"	48'	230/460	2	10/5	H4	10,000	25,500 lbs	1,835 lbs	\$9,854
SCU-190-100-78	7.5 - 10 Ton	100 FPM	7.48" (190mm)	78"	52'	230/460	2	10/5	H4	10,000	25,500 lbs	1,905 lbs	\$9,996
SCU-190-100-84	7.5 - 10 Ton	100 FPM	7.48" (190mm)	84"	56'	230/460	2	10/5	H4	10,000	25,500 lbs	1,975 lbs	\$10,139
SCU-190-100-90	7.5 - 10 Ton	100 FPM	7.48" (190mm)	90"	60'	230/460	2	10/5	H4	10,000	25,500 lbs	2,045 lbs	\$10,281
SCU-190-100-96	7.5 - 10 Ton	100 FPM	7.48" (190mm)	96"	64'	230/460	2	10/5	H4	10,000	25,500 lbs	2,115 lbs	\$10,423
SCU-190-100-102	7.5 - 10 Ton	100 FPM	7.48" (190mm)	102"	68'	230/460	2	10/5	H4	10,000	25,500 lbs	2,185 lbs	\$10,566
SCU-190-100-108	7.5 - 10 Ton	100 FPM	7.48" (190mm)	108"	72'	230/460	2	10/5	H4	10,000	25,500 lbs	2,255 lbs	\$10,708
SCU-190-100-114	7.5 - 10 Ton	100 FPM	7.48" (190mm)	114"	76'	230/460	2	10/5	H4	10,000	25,500 lbs	2,325 lbs	\$10,851
SCU-190-100-120	7.5 - 10 Ton	100 FPM	7.48" (190mm)	120"	80'	230/460	2	10/5	H4	10,000	25,500 lbs	2,395 lbs	\$10,993
Upgrade to tapered wheel kit for Standard American I-Beams to any above Models												\$400	

- All End Truck Sets ship prime painted gray
- **End user to specify actual flange width of runway beam.**
- End truck wheel base should be your bridge length in inches divided by 8
- Motor includes holding brake



Rubber Crane Bumpers

To be used for crane end trucks, hoist trolleys, or general industrial applications.

SKU	Size	Dimensions	List
600-50035	Small	1 1/2" Dia x 1 1/2" Length	\$11
600-50036	Medium	2 3/8" Dia x 2 3/16" Length	\$21
600-50037	Large	3 1/8" Dia x 3 1/8" Length	\$46



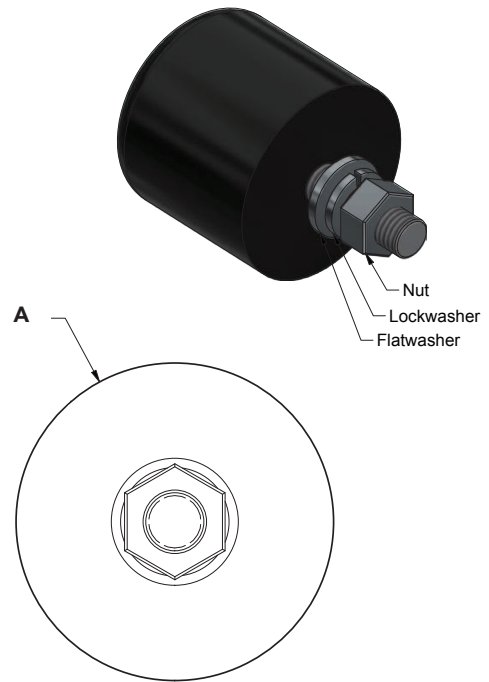
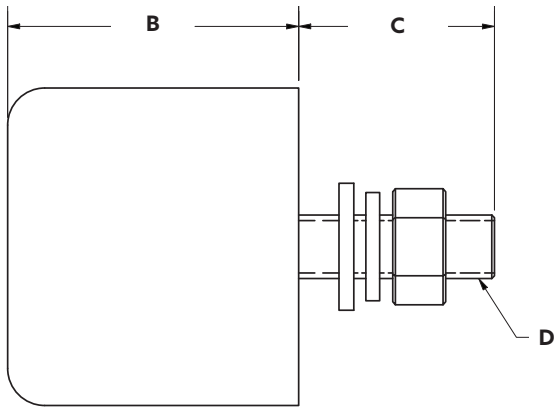
600-50035



600-50036



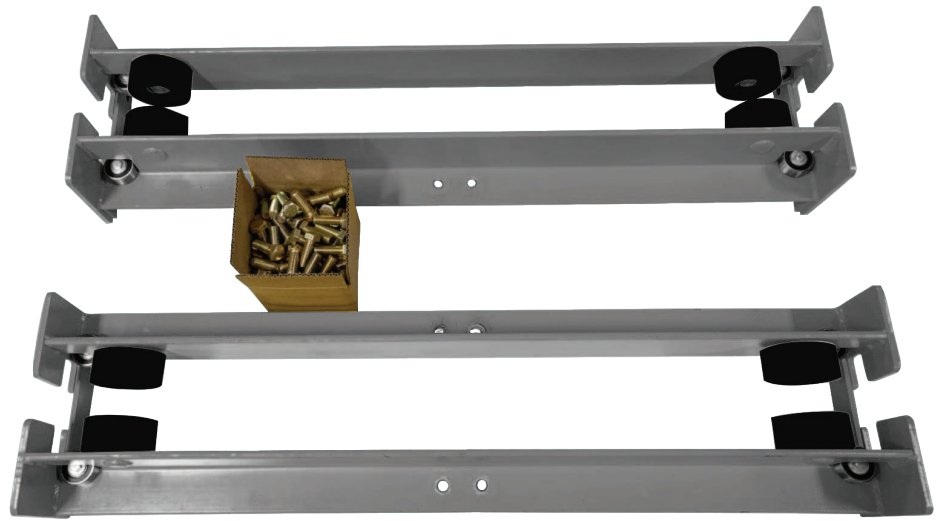
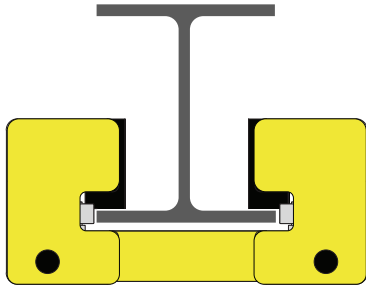
600-50037



Rubber Bumper Dimensions				
	A	B	C	D
600-50035	1 1/2"	1 1/2"	1"	5/16-18 NC
600-50036	2 3/8"	2 3/16"	1 7/16"	M12 x 1.75
600-50037	3 1/8"	3 1/8"	1 1/2"	M16 x 2.0

Manual End Trucks

"SBK" Under-Running Series



SKU	Recommended Capacity	Wheelbase	Wheel Type	Flange Width Range	MAX Wheel Loading (Pair)	Net Weight (Set)	List
SBK-1048-07	½ Ton	39.5"	4" OD ACETAL Plastic	4" - 7"	800 lbs	139 lbs	\$1,089
SBK-1048-10	½ Ton	39.5"	4" OD ACETAL Plastic	7" - 10"	800 lbs	159 lbs	\$1,148
SBK-2048-07	1 Ton	39.5"	4" OD ACETAL Plastic	4" - 7"	1,425 lbs	203 lbs	\$1,152
SBK-2048-10	1 Ton	39.5"	4" OD ACETAL Plastic	7" - 10"	1,425 lbs	223 lbs	\$1,211
SBK-4048-07	2 Ton	39.5"	4.25" OD Machined Steel	4" - 7"	2,450 lbs	243 lbs	\$1,450
SBK-4048-10	2 Ton	39.5"	4.25" OD Machined Steel	7" - 10"	2,450 lbs	263 lbs	\$1,509
SBK01ST	Upgrade Above Models to tapered wheel kit for Standard American I-Beams						\$200

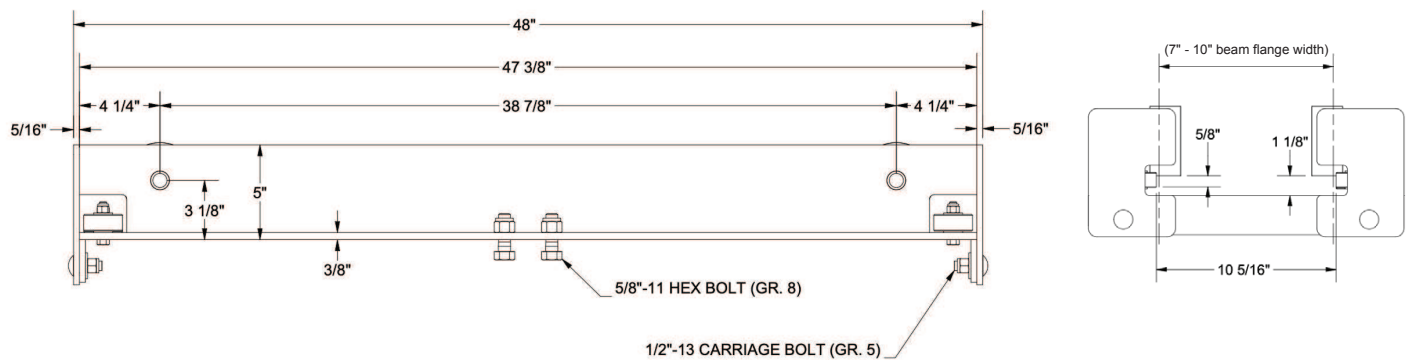
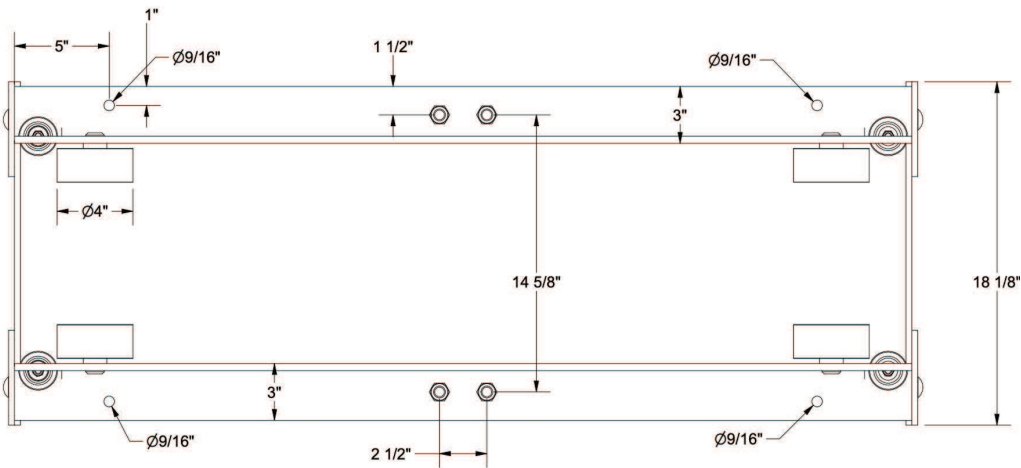
- SBK01ST kit price only valid at time of end truck order

SKU	Recommended Capacity	Wheelbase	Wheel Type	Flange Width Range	MAX Wheel Loading (Pair)	Net Weight (Set)	List
SBK-6060-07	3 Ton	50.5"	6" Machined Steel	4" - 7"	3,825 lbs	491 lbs	\$1,660
SBK-6060-10	3 Ton	50.5"	6" Machined Steel	7" - 10"	3,825 lbs	511 lbs	\$1,719

- This model is designed to run directly on Wide Flange Beam.
- Ships prime painted gray
- Max bridge width 26'.

"SBK" Under-Running Kits

- This page gives details of the 1 Ton (SBK-2048) manual end truck kit. For drawings of other models, contact your distributor.
- Angle bracing and beam does not ship with SBK Endtruck Kits



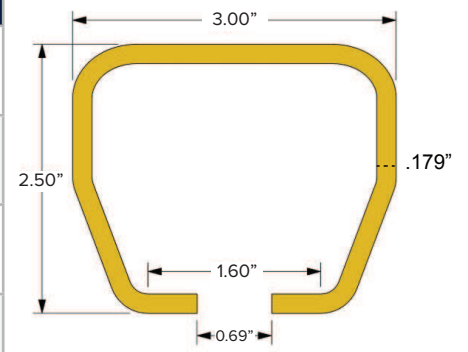
ENCLOSED TRACK

This track is intended to sell to distributors who want to design and fabricate custom systems that are not available off the shelf from a workstation manufacturer.

300 Series Track

Engineered to work well as a light to medium duty option for a variety of applications from workstation cranes and jibs to fall protection.

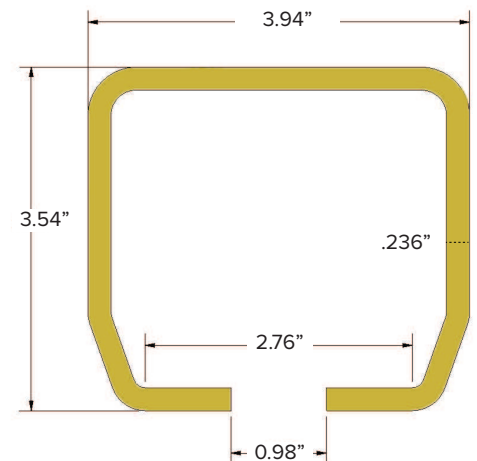
SKU	Description	Finish	Length	Weight	List
S300-C	3" x 2.5" x 7ga (Grade #50 Steel)	Raw Unpainted	Cut to Any Custom Length	5lbs / ft	\$23/ft
S300-21	3" x 2.5" x 7ga (Grade #50 Steel)	Raw Unpainted	21' Stock	105 lbs	\$442
S300-32	3" x 2.5" x 7ga (Grade #50 Steel)	Raw Unpainted	32' Stock	160 lbs	\$671
S300-43	3" x 2.5" x 7ga (Grade #50 Steel)	Raw Unpainted	43' Stock	215 lbs	\$895
S300-53	3" x 2.5" x 7ga (Grade #50 Steel)	Raw Unpainted	53' Stock	265 lbs	\$1,087
S300-55	3" x 2.5" x 7ga (Grade #50 Steel)	Raw Unpainted	55' Stock	275 lbs	\$1,122



400 Series Track

Engineered to work well as a medium to heavy duty option for a variety of applications from workstation cranes and jibs to fall protection requiring extended spans.

SKU	Description	Finish	Length	Weight	List
S400-C	4" x 3.5" x 1/4" (Grade A36 Steel)	Raw Unpainted	Cut to Any Custom Length	9.5lbs / ft	\$39/ft
S400-37	4" x 3.5" x 1/4" (Grade A36 Steel)	Raw Unpainted	37'-8" Stock	304lbs	\$1,095



Enclosed Track Components

SKU	Description	Track Series	Finish	Weight	List
S300-SFT	Fall Arrest Rated Trolley (420 lbs)	300	Yellow Zinc	4 lbs	\$329
S300-EMT	Hoist Trolley (Rated 1,000 lbs)	300	Yellow Zinc	3 lbs	\$297
S300-ETK	Standard Wheelbase Single End Truck (Rated 1,000 lbs)	300	Yellow Zinc	19 lbs	\$415
S300-XET	Extended Wheelbase Single End Truck (Rated 1,000 lbs)	300	Yellow Paint	57 lbs	\$689
S300-CFT	Flat Cable Festoon Trolley	300	Zinc/Plastic	0.66 lbs	\$37
S300-CET	Flat Cable Festoon End Clamp	300	Zinc/Plastic	0.85 lbs	\$17
S300-AFT	Air Hose Festoon Trolley	300	Zinc/Plastic	0.89 lbs	\$43
S300-AET	Air Hose Festoon End Clamp	300	Zinc/Plastic	0.95 lbs	\$27
S300-ESK	End Stop Kit with Rubber Bushing	300	Zinc/Rubber	0.59 lbs	\$13
S300-TSK	8" Track Splice Kit (w/set bolts)	300	Yellow Zinc	7 lbs	\$59
S400-SFT	Fall Arrest Rated Trolley (420 lbs)	400	Yellow Zinc	7 lbs	\$479
S400-EMT	Hoist Trolley (Rated 2,000 lbs)	400	Yellow Zinc	5 lbs	\$395
S400-ETK	Standard Wheelbase Single End Truck (Rated 2,000 lbs)	400	Yellow Zinc	31 lbs	\$589
S400-XET	Extended Wheelbase Single End Truck (Rated 4,000 lbs)	400	Yellow Paint	93 lbs	\$971
S400-ESK	End Stop Kit with Rubber Bushing	400	Zinc/Rubber	0.75 lbs	\$18
S400-TSK	8" Track Splice Kit (w/set bolts)	400	Yellow Zinc	11 lbs	\$79



Fall Arrest Trolley (SFT)



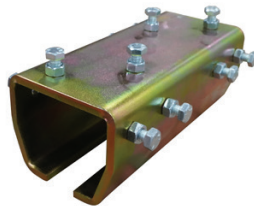
Festoon Trolley (CFT)



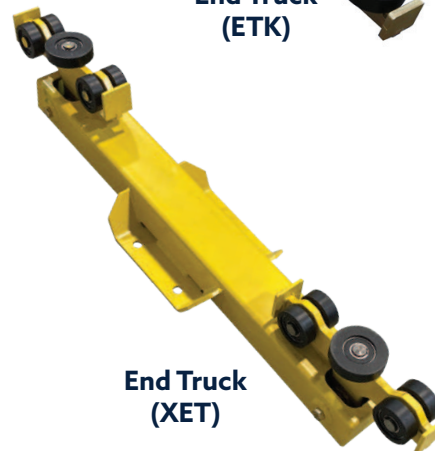
End Truck (ETK)



Hoist Trolley (EMT)



Track Splice (TSK)



End Truck (XET)

ELECTRIFICATION

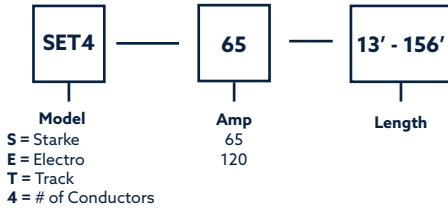
ElectroTrack

Enclosed Conductor Bar

Complete packages below designed for straight runway and bridge systems only.

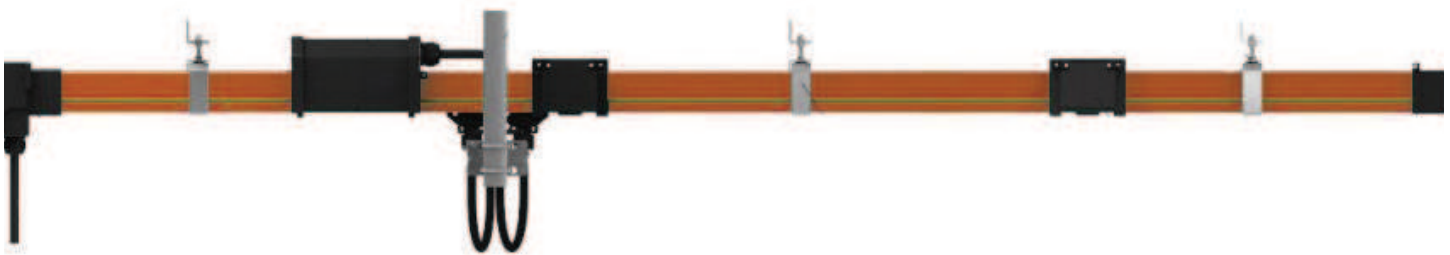


Model Number Chart



SKU	Length	Quantity/PCS	Conductor	Amp	Environment	Net Weight	List
SET4-65-26KIT	26'	2	4	65	0-155°F	26 lbs	\$556
SET4-65-39KIT	39'	3	4	65	0-155°F	37 lbs	\$718
SET4-65-52KIT	52'	4	4	65	0-155°F	47 lbs	\$877
SET4-65-65KIT	65'	5	4	65	0-155°F	58 lbs	\$1,031
SET4-65-78KIT	78'	6	4	65	0-155°F	69 lbs	\$1,185
SET4-65-91KIT	91'	7	4	65	0-155°F	80 lbs	\$1,332
SET4-65-104KIT	104'	8	4	65	0-155°F	94 lbs	\$1,476
SET4-65-117KIT	117'	9	4	65	0-155°F	105 lbs	\$1,619
SET4-65-130KIT	130'	10	4	65	0-155°F	116 lbs	\$1,756
SET4-65-143KIT	143'	11	4	65	0-155°F	127 lbs	\$1,889
SET4-65-156KIT	156'	12	4	65	0-155°F	138 lbs	\$2,021
SET4-120-26KIT	26'	2	4	120	0-155°F	26 lbs	\$817
SET4-120-39KIT	39'	3	4	120	0-155°F	37 lbs	\$1,056
SET4-120-52KIT	52'	4	4	120	0-155°F	47 lbs	\$1,290
SET4-120-65KIT	65'	5	4	120	0-155°F	58 lbs	\$1,516
SET4-120-78KIT	78'	6	4	120	0-155°F	69 lbs	\$1,742
SET4-120-91KIT	91'	7	4	120	0-155°F	80 lbs	\$1,958
SET4-120-104KIT	104'	8	4	120	0-155°F	94 lbs	\$2,170
SET4-120-117KIT	117'	9	4	120	0-155°F	105 lbs	\$2,379
SET4-120-130KIT	130'	10	4	120	0-155°F	116 lbs	\$2,581
SET4-120-143KIT	143'	11	4	120	0-155°F	127 lbs	\$2,777
SET4-120-156KIT	156'	12	4	120	0-155°F	138 lbs	\$2,971

- Above packages include Conductor Rail, Hangers to be supported at 79" Centers, Copper Splice Connectors, Splice Covers, (1) 40 Amp Collector with Tow Arm, End Caps, and Power End Feed.
- Installer is responsible to cut rail to exact lengths at job-site and bend/punch copper conductors at the appointed location to fit system.
- Not advised to be in direct sunlight or plastic will break down over a period of time. MFG advises heat/weather shield.



Components Pricing

SKU	Description	Electrotrack AMP Model	Net Weight	List
SET4-65-13	13' Conductor Bar	65	13 lbs	\$239
SET4-65-13B	13' Conductor Bar 50pc Bulk	65	13 lbs	\$205/ea
SET-90072	Copper Splice Connectors	65	.03 lbs	\$3.05
SET-90085	Copper Splice Connectors 200pc Bulk	65	.03 lbs	\$2.59/ea
SET-90071	Plastic Splice Cover	65	.2 lbs	\$8.00
SET-90086	Plastic Splice Cover 50pc Bulk	65	.2 lbs	\$6.56/ea
SET-90069	Center Power Feed Kit	65	1.75 lbs	\$35
SET4-120-13	13' Conductor Bar	120	13 lbs	\$365
SET4-120-13B	13' Conductor Bar 50pc Bulk	120	650 lbs	\$313/ea
SET-90081	Copper Splice Connectors	120	.1 lbs	\$4.66
SET-90082	Copper Splice Connectors 200pc Bulk	120	20 lbs	\$3.96/ea
SET-90083	Plastic Splice Cover	120	.2 lbs	\$7.39
SET-90084	Plastic Splice Cover 50pc Bulk	120	20 lbs	\$6.28/ea
SET-90088	Center Power Feed Kit	120	1.75 lbs	\$39
SET-90075	Hanger	65/120	.1 lbs	\$5.69
SET-90087	Hanger 100 pc Bulk	65/120	10 lbs	\$4.95/ea
SET-90068	End Power Feed Kit	65/120	.6 lbs	\$23
SET-90074	End Cap	65/120	.1 lbs	\$3.95
SET-90066	40 Amp Single Collector	65/120	1.90 lbs	\$119
SET-90067	Single Tow Arm	65/120	1.03 lbs	\$29

If tandem collectors are required, figure (2) Single collectors and tow arms above

ElectroTrack

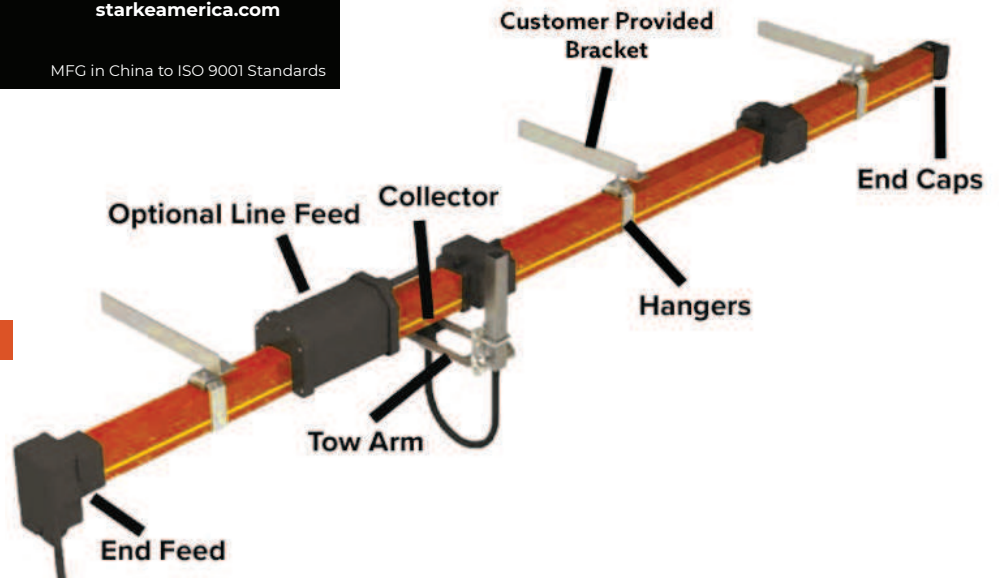
Enclosed Power Rail
 Model No: SET4-65-13
 Lot No: 90104
 MFG Date: 01/2020
 Rating: 65 Amp - 4 Conductor
 Environment: 0°F - 155°F



starkeamerica.com

MFG in China to ISO 9001 Standards

48 HOUR QUICK SHIP
 Including Bulk Stock Listed Above.



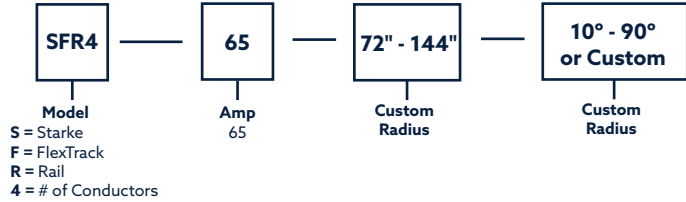
FlexTrack

Enclosed 65 Amp Conductor Rail

These components are not typically in stock, but are custom designed and produced for complex loop monorail systems that include horizontal turns.



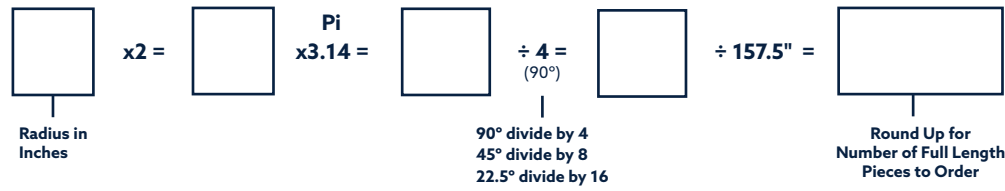
Model Number Chart



SKU	Linear Length	Custom Radius	Degree of Turn	Conductor	Amp	Environment	Net Weight	List
SFR4-65-S	13'	Straight	Straight	4	65	0-155°F	18 lbs	\$567
SFR4-65-(R)-90	13'	72"- 144"	90°	4	65	0-155°F	36 lbs	\$758
SFR4-65-(R)-45	13'	72"- 144"	45°	4	65	0-155°F	54 lbs	\$743
SFR4-65-(R)-22	13'	72"- 144"	22.5°	4	65	0-155°F	72 lbs	\$728
SFR4-65-(R)-C	13'	72"- 144"	Custom 10°-90°	4	65	0-155°F	90 lbs	\$852

- Typical lead time is 10-12 weeks after drawing approval by distributor and/or end use customer.
- All above components are 4 conductor, 65 Amps, and designed for environments between 0-155°F.
- In order to complete a 90° turn with one turn section above, we recommend the use of a 6 ft (72") radius if possible.
- Installer is responsible to cut rail to exact lengths at job-site and bend/punch copper conductors at the appointed location to fit system.
- Not advised to be in direct sunlight or plastic will break down over a period of time. MFG advises heat/weather shield.

Formula for Finding Out How Many Pieces to Order



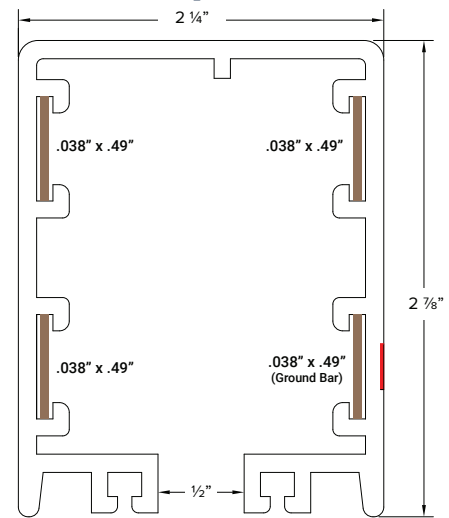
Additional Components

SKU	Description	Net Weight	List
SFR-90071	40 Amp Single Collector for Radius	1.72 lbs	\$198
SFR-90072	Single Tow Arm	1.03 lbs	\$49
SFR-90073	End Power Feed	.55 lbs	\$94
SFR-90074	Center Power Feed	1.035 lbs	\$98
SET-90071	Plastic Splice Cover	.2 lbs	\$8
SET-90073	Hole Punch (1/4") For Power Feed	3.8 lbs	\$287

- If tandem collectors are required, simply figure (2) Single collectors and tow arms above



65 Amp (SFR4-65)



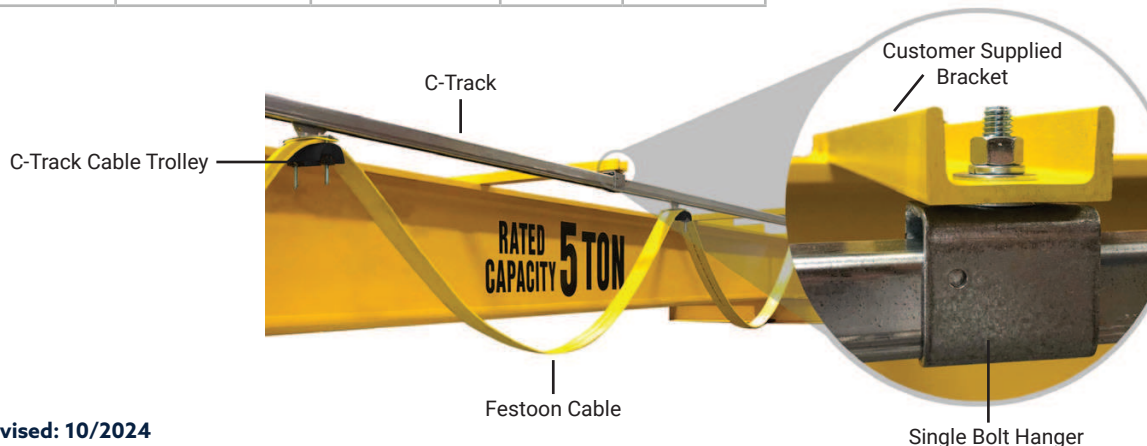
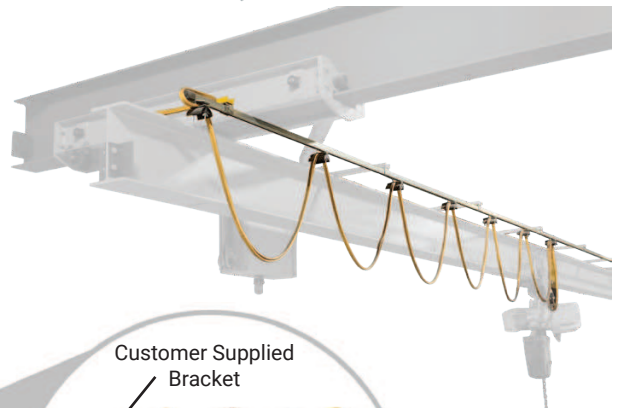
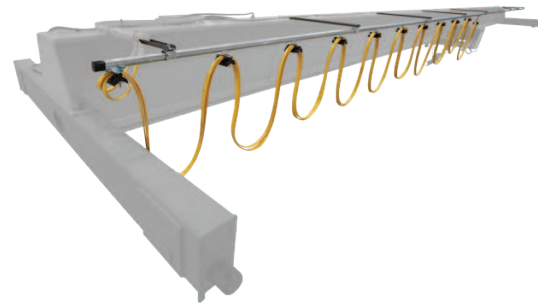
Festoon Cable Only

SKU	# of wires	AWG	Length	Net Weight	Price per ft	List
SFC4W-14AWG	4	14	Custom per ft	.135 lbs / ft	\$2.31	Use price per ft up to 499'
SFC4W-14AWG-500	4	14	500' reel	67.5 lbs	\$2.13	\$1,065
SFC4W-14AWG-1000	4	14	1000' reel	135 lbs	\$1.99	\$1,990
SFC8W-14AWG	8	14	Custom per ft	.23 lbs / ft	\$3.99	Use price per ft up to 499'
SFC8W-14AWG-500	8	14	500' reel	115 lbs	\$3.66	\$1,830
SFC8W-14AWG-1000	8	14	1000' reel	230 lbs	\$3.42	\$3,420
SFC12W-14AWG	12	14	Custom per ft	.36 lbs / ft	\$5.29	Use price per ft up to 499'
SFC12W-14AWG-500	12	14	500' reel	180 lbs	\$4.82	\$2,425
SFC12W-14AWG-1000	12	14	1000' reel	360 lbs	\$4.50	\$4,500
SFC4W-10AWG	4	10	Custom per ft	.22 lbs / ft	\$4.28	Use price per ft up to 499'
SFC4W-10AWG-500	4	10	500' reel	110 lbs	\$4.01	\$2,005
SFC4W-10AWG-1000	4	10	1000' reel	220 lbs	\$3.80	\$3,800



Festoon System Components

SKU	Description	Specs	Weight	List
S100-13	C-Track 13.12' Length (4m)	Zinc	9.9 lbs	\$31
S100-SH	Single Bolt Standard Hanger	Zinc	0.4 lbs	\$5.07
S100-AH	Single Bolt Anchor Hanger	Zinc	0.42 lbs	\$8.91
S100-TC	Track Coupler Assembly	Zinc	0.9 lbs	\$9.16
S100-EC	Track End Cap	Rubber	0.02 lbs	\$1.22
S100-CFT	Flat Cable Festoon Trolley	Zinc/Plastic	0.6 lbs	\$15.05
S100-CET	Flat Cable Festoon End Clamp	Zinc/Plastic	0.61 lbs	\$11.86
S100-AFT	Air Hose Festoon Trolley	Zinc/Plastic Max Hose: 1" OD	0.78 lbs	\$21.46
S100-AET	Air Hose Festoon End Clamp	Zinc/Plastic	0.68 lbs	\$13.01



Power & Control Cable

SKU	Length	# of wires	Gauge	Volt	Max Amps	Net Weight	Price per ft	List
SPC-614-1	Per foot	6	14	600V	15	0.14 lbs	\$3.55	\$3.55
SPC-614-500	500' reel	6	14	600V	15	70 lbs	\$3.06	\$1,530
SPC-614-1000	1000' reel	6	14	600V	15	140 lbs	\$2.67	\$2,670
SPC-410-1	per foot	4	10	600V	30	0.26 lbs	\$7.86	\$7.86
SPC-410-500	500' reel	4	10	600V	30	130 lbs	\$6.85	\$3,425
SPC-410-1000	1000' reel	4	10	600V	30	260 lbs	\$6.05	\$6,050

- Gauges shown above are nominal sizes. Actual metric sizes are: 14 gauge = 2mm² / 10 gauge = 5.5mm²
- 10 gauge wire is conveniently colored Red, Black, White & Green (ground)
- 14 gauge wires are all white in color and labeled #1 - #6



Internal Strain Relief Pendant Cable

SKU	Length	# of wires	Gauge	Net Weight	Price per ft	List
SPCI03-1	1'	3	16	0.125 lbs	\$4.62	\$4.62
SPCI03-25	25'	3	16	3.125 lbs	\$4.43	\$104
SPCI03-50	50'	3	16	6.25 lbs	\$4.19	\$209
SPCI03-100	100'	3	16	12.5 lbs	\$4.07	\$407
SPCI03-250	250'	3	16	31.25 lbs	\$3.95	\$986
SPCI03-500	500'	3	16	62.5 lbs	\$3.78	\$1,890
SPCI03-1000	1000'	3	16	125 lbs	\$3.54	\$3,540

SPCI Cable works well as a replacement for most chain hoist models utilizing .50" OD internal strain relief pendant cable.



Twist Lock Plugs

SKU	Type	NEMA	Voltage	Amp	# of Wires	Net Weight	List
STL515F	Female	L5-15C	125	15	3	.335 lbs	\$15.50
STL515M	Male	L5-15P	125	15	3	.335 lbs	\$13.92
STL520F	Female	L5-20C	125	20	3	.335 lbs	\$17.33
STL520M	Male	L5-20P	125	20	3	.335 lbs	\$17.33
STL530F	Female	L5-30C	125	30	3	.335 lbs	\$20.73
STL530M	Male	L5-30P	125	30	3	.335 lbs	\$19.06
STL620F	Female	L6-20C	250	20	3	.335 lbs	\$20.73
STL620M	Male	L6-20P	250	20	3	.335 lbs	\$19.06
STL630F	Female	L6-30C	250	30	3	.335 lbs	\$20.73
STL630M	Male	L6-30P	250	30	3	.335 lbs	\$19.06
STL1620F	Female	L16-20C	480	20	4	.335 lbs	\$24.51
STL1620M	Male	L16-20P	480	20	4	.335 lbs	\$23.53
STL1630F	Female	L16-30C	480	30	4	.335 lbs	\$28.76
STL1630M	Male	L16-30P	480	30	4	.335 lbs	\$26.71
STL1520F	Female	L15-20C	250	20	4	.335 lbs	\$22.55
STL1520M	Male	L15-20P	250	20	4	.335 lbs	\$22.21

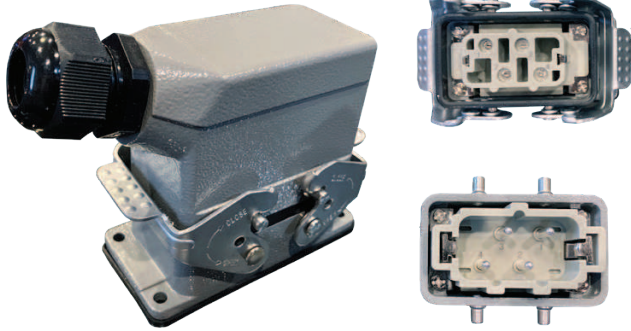


3-Wire

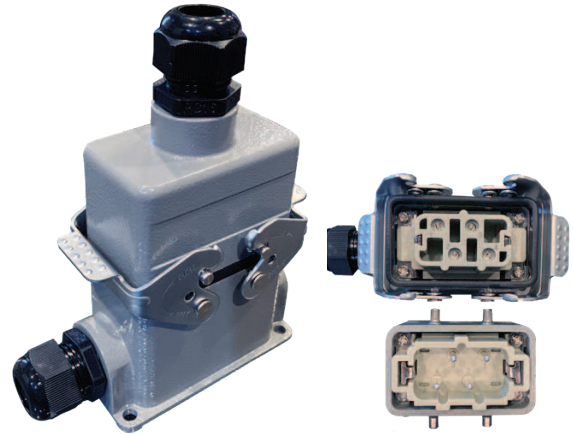


4-Wire

Quick-Plug Industrial Connectors



Description	Side Entry Hood with Thru-Panel Mount
Type	Male & Female Set
Voltage	500
Amp	35
# of Pins	4
Net Weight	1 lbs
SKU	SPQ04-10BPS
List	\$43



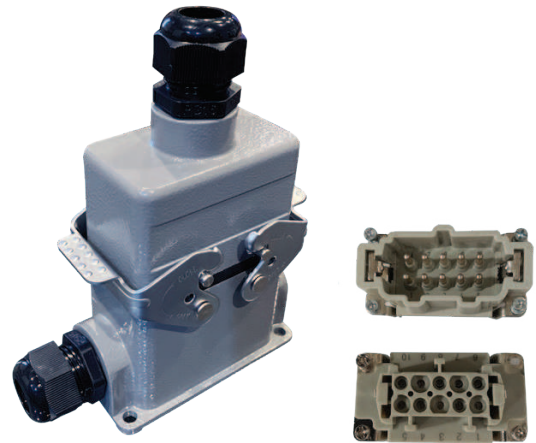
Description	Top Entry Hood with Surface Mount
Type	Male & Female Set
Voltage	500
Amp	35
# of Pins	4
Net Weight	1.3 lbs
SKU	SPQ04-10BST
List	\$51



Description	Top Entry Hood with Thru-Panel Mount
Type	Male & Female Set
Voltage	500
Amp	80/16
# of Pins	4+8
Net Weight	1.7 lbs
SKU	SQP0408-24BPT
List	\$97

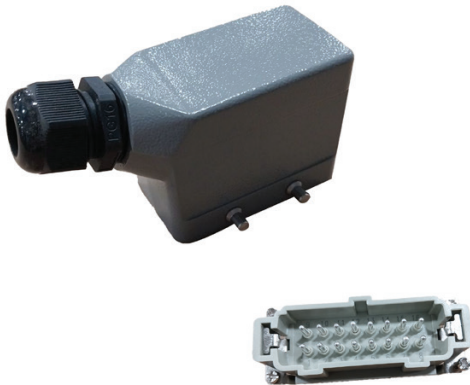


Description	Double Side Entry Hood with Low Base
Type	Male & Female Set
Voltage	500
Amp	80
# of Pins	6
Net Weight	1.8 lbs
SKU	SQP06-16BSS2
List	\$68



Description	Top Entry Hood with Thru-Panel Mount
Type	Male & Female Set
Voltage	500
Amp	16
# of Pins	10
Net Weight	1.7 lbs
SKU	SPQ10-10BPT
List	\$48

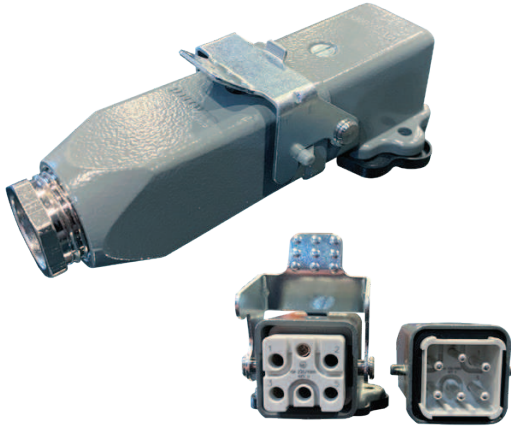
Description	Top Entry Hood with Surface Mount
Type	Male & Female Set
Voltage	500
Amp	16
# of Pins	10
Net Weight	1.8 lbs
SKU	SQP10-10BST
List	\$49



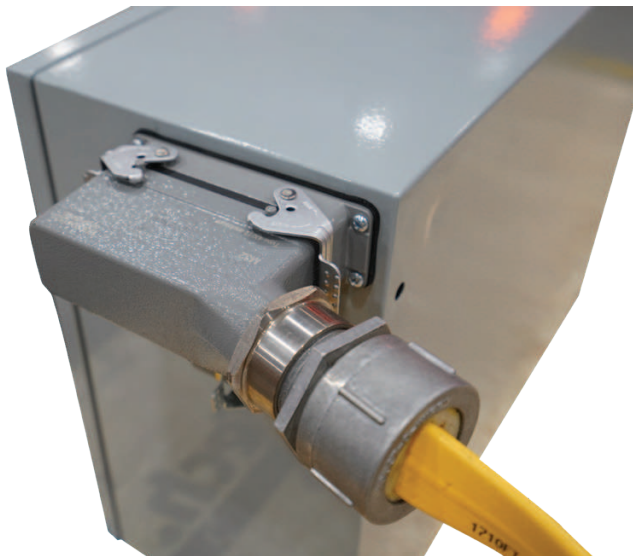
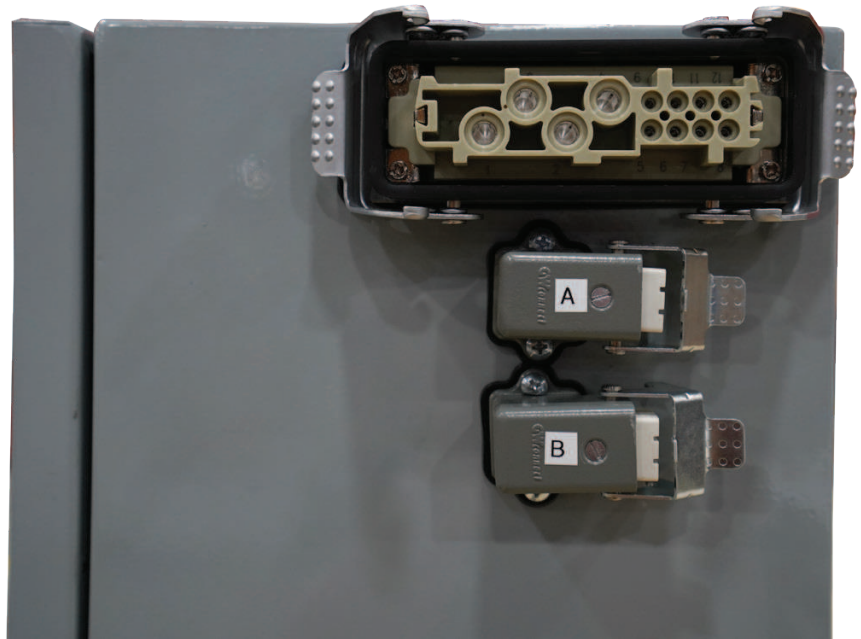
Description	Side Entry Hood with No Base
Type	Female
Voltage	500
Amp	16
# of Pins	16
Net Weight	1.5 lbs
SKU	SQP16-16BS
List	\$33

Description	Top Entry Hood with Surface Mount
Type	Male & Female Set
Voltage	500
Amp	16
# of Pins	16
Net Weight	1.5 lbs
SKU	SQP16-16BST
List	\$52

Quick-Plug Industrial Connectors



Description	Top Entry Hood with Right Angle Panel Mount
Type	Male & Female Set
Voltage	500
Amp	16
# of Pins	5+
Net Weight	0.6 lbs
SKU	SPQ05-3APT
List	\$39



CONTROLS

VFD Bridge Control Panels

SKU	Line Voltage	Combined Max Drive HP	Max Total Bridge HP	Max Total Amps	Panel Size (W) x (H) x (D)	Net Weight	List
SCP-0246	460/3	2	24	31	22" X 18" X 10"	57 lbs	\$2,621
SCP-0346	460/3	3	28	36	22" X 18" X 10"	59 lbs	\$2,837
SCP-0446	460/3	4	28	36	22" X 18" X 10"	61 lbs	\$3,215
SCP-0546	460/3	5	38	49	22" X 18" X 10"	63 lbs	\$3,601
SCP-0746	460/3	7.5	38	49	22" X 18" X 10"	63 lbs	\$3,857
SCP-1046	460/3	10	50	63	22" X 18" X 10"	82 lbs	\$4,351
SCP-0323	208/230/3	3	22/25	63	22" X 18" X 10"	59 lbs	\$3,455
SCP-0523	208/230/3	5	22/25	63	22" X 18" X 10"	61 lbs	\$3,741
SCP-323S	230 Single Phase*	3	14	63	22" X 18" X 10"	59 lbs	\$3,985

*Features Inverter/VFD to convert single phase incoming line voltage to 3-phase, powering end trucks only. Hoist and trolley require single phase.

General Panel Specifications

- Through-the-Door Mainline Disconnect Plus Over-Current Circuit Protection
- Amber Strobe Warning Light pre-wired to indicate bridge is in motion
- Wiring & Components neatly installed and labeled allowing easy trouble-shooting & traceability
- All panels feature NEMA 3 Rating



48 Hour Quick Ship | Models Listed Above. All other models have a 2-3 week lead time from factory.



VFD TECHNOLOGY

FEATURING

DANFOSS DRIVES



VLT Micro Drive



- Infinite Speed Adjustment
- Improves Load Control
- Soft Start & Stop
- Adjustable Ramp Up & Down
- Adjustable High & Low Speeds

Collision Avoidance Kits

SKU	Description	Application	Net Weight	List
SCA-LE-50S	Single Event LED	Simple uni-directional bridge collision avoidance with (1) adjustable event (0-50 ft)	3 lbs	\$376
SCA-LE-50T	Single Event Twin LED	Simple uni-directional bridge collision avoidance with (2) adjustable events (0-50 ft)	5 lbs	\$732
SCA-LZ-200S	Dual Event Single LASER	Precision uni-directional bridge collision avoidance with (2) programmable events (0-200ft)	5 lbs	\$1,128
SCA-LZ-200T	Dual Event Twin LASER	Precision bi-directional bridge collision avoidance with (2) programmable events (0-200ft)	8 lbs	\$2,161

- All kits include LED or LASER device(s), mounting brackets, reflector(s) on mounting bracket, control cable(s), and any required relay controls
- An “Event” is simply a measurable action that can dictate the speed or the stopping of the moving crane. A single laser may have dual events, but can still only point in one direction, which may require a “Twin” system if there are functions to be controlled in both directions



Single Event LED



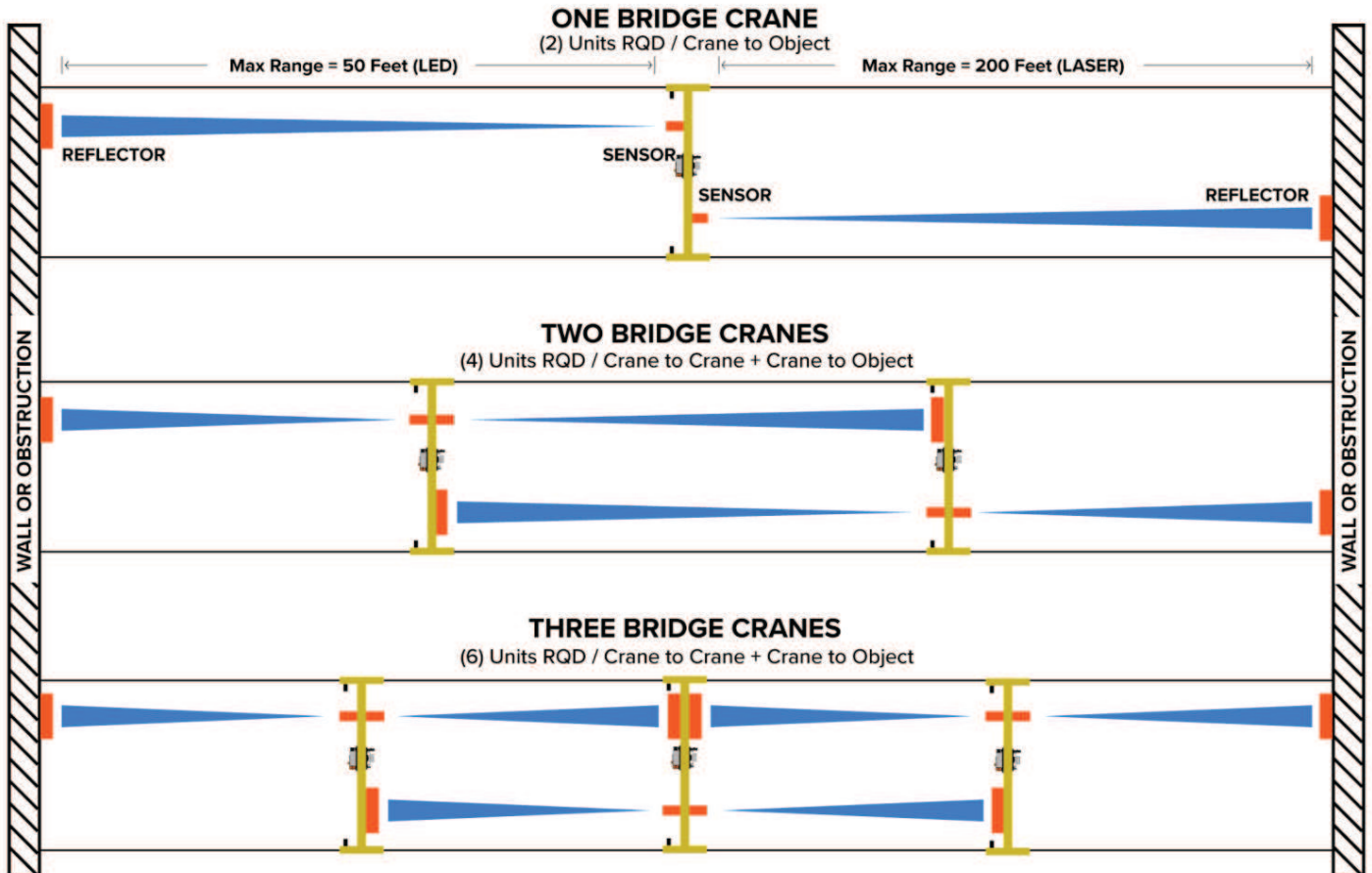
Single Event Twin LED

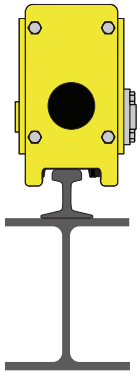


Dual Event Single LASER



Dual Event Twin LASER





TOP-RUNNING CRANE KITS

A complete crane kit that comes with the following components.

- (2) End Trucks with Girder Plates (prime-painted gray)
- (2) Gearmotors with quick-plug adaptors
- (4) Rubber Bumpers for end trucks
- (1) VFD Bridge Control Panel with Mounting Bracket
- (1) Bridge Crane Power Feed & Endtruck Cable Kit with Quick Plug to Panel
- (2) Adjustable Bridge End Stop Kits for Hoist Travel
- (1) Short Motor Power & Control Cable
- (1) Long Motor Power & Control Cable
- (1) Runway Electrification Mount with 10' Panel Power Supply
- Zip Tie & Clamp Kit for Cable Management
- Capacity Decal Kit
- Power & Control Package Options A, B, or C



Optional Stationary Emergency Pendant Control with 17' Drop Cord & Quick-Plug to Control Panel (\$435 Add-On)

Hoist Options



Electric Chain Hoists with Trolley

OR



Wire Rope Hoists

End Trucks



Gear Motors



Base Package for All Crane Kits

HOISTS
CRANE COMPONENTS
ELECTRIFICATION & CONTROLS
CRANE KITS
SLINGS
SAFETY

VFD Control Panel with Amber Strobe Light



Power Feed Cable



Control Panel Mounting Bracket



Quick Plug Connectors for All Cable Connections

Motor Feed Cables



Cable Management Kit



Adjustable Bridge Crane End Stops



End Truck Bumpers

Crane Package "A" Controls

Power & Controls Festoon Package
(No Pendant or Radio Included)

Festoon Package



Power & Control Cables



Crane Package "B" Controls

Power & Controls Festoon Package including Independent Traveling Pendant Station



Crane Package "C" Controls

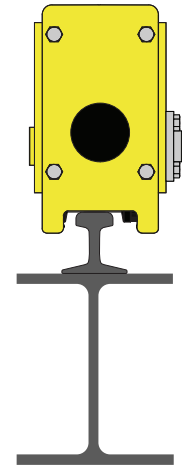
Festoonless ElectroTrack Package + InMotion K-Series Radio Control for Wireless Communication to Hoist, Trolley, and End Trucks (Includes 2 Transmitters)



2 Ton Crane Kits
STK Electric Chain Hoist + SMT Motorized Trolley

HOISTS

CRANE COMPONENTS



ELECTRIFICATION & CONTROLS

CRANE KITS

SLINGS

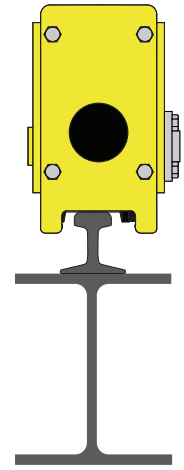
SAFETY

List Price Options

SKU	Cap	Max Bridge Span (ft)	Sugg. Bridge Beam	Endtruck Model	Hoist + Trolley Model	System Voltage	Net Weight (lbs)	Festoon Only	Traveling Pendant	Radio Kit
SCK-02-EC-TB20	2 Ton	20	W 12x26	STT-130-100-42	STK2026-20 + SMT20VSL	230 or 460 3 PH	1,179	\$15,380	\$16,416	\$17,318
SCK-02-EC-TB24	2 Ton	24	W 14x30	STT-130-100-42	STK2026-20 + SMT20VSL	230 or 460 3 PH	1,183	\$15,456	\$16,591	\$17,402
SCK-02-EC-TB28	2 Ton	28	W 14x34	STT-130-100-42	STK2026-20 + SMT20VSL	230 or 460 3 PH	1,187	\$15,532	\$16,765	\$17,485
SCK-02-EC-TB32	2 Ton	32	W 14x43	STT-130-100-48	STK2026-20 + SMT20VSL	230 or 460 3 PH	1,213	\$15,642	\$16,973	\$17,602
SCK-02-EC-TB36	2 Ton	36	W 14x53	STT-130-100-54	STK2026-20 + SMT20VSL	230 or 460 3 PH	1,240	\$15,751	\$17,181	\$17,719
SCK-02-EC-TB40	2 Ton	40	W 16x67	STT-130-100-60	STK2026-20 + SMT20VSL	230 or 460 3 PH	1,266	\$16,105	\$17,635	\$18,081
SCK-02-EC-TB44	2 Ton	44	W 16x67	STT-130-100-66	STK2026-20 + SMT20VSL	230 or 460 3 PH	1,293	\$16,214	\$17,843	\$18,198
SCK-02-EC-TB48	2 Ton	48	W 18x76	STT-130-100-72	STK2026-20 + SMT20VSL	230 or 460 3 PH	1,319	\$16,324	\$18,051	\$18,315
SCK-02-EC-TB52	2 Ton	52	W 18x76	STT-130-100-78	STK2026-20 + SMT20VSL	230 or 460 3 PH	1,345	\$18,177	\$20,003	\$20,176
SCK-02-EC-TB56	2 Ton	56	W 21x101	STT-130-100-84	STK2026-20 + SMT20VSL	230 or 460 3 PH	1,372	\$18,426	\$20,351	\$20,433
SCK-02-EC-TB60	2 Ton	60	W 21x101	STT-130-100-90	STK2026-20 + SMT20VSL	230 or 460 3 PH	1,398	\$18,617	\$20,641	\$20,631
SCK-02-EC-TB64	2 Ton	64	W 21x111	STT-130-100-96	STK2026-20 + SMT20VSL	230 or 460 3 PH	1,425	\$18,809	\$20,931	\$20,831

3 Ton Crane Kits

STK Electric Chain Hoist + SMT Motorized Trolley



HOISTS

CRANE COMPONENTS

ELECTRIFICATION & CONTROLS

CRANE KITS

SLINGS

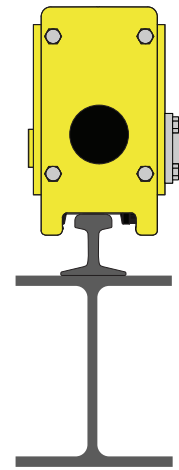
SAFETY

List Price Options

SKU	Cap	Max Bridge Span (ft)	Sugg. Bridge Beam	Endtruck Model	Hoist + Trolley Model	System Voltage	Net Weight (lbs)	Festoon Only	Traveling Pendant	Radio Kit
SCK-03-EC-TB20	3 Ton	20	W 12x40	STT-130-100-42	STK3021-20 + SMT30VSL	230 or 460 3 PH	1,158	\$16,349	\$17,384	\$18,287
SCK-03-EC-TB24	3 Ton	24	W 12x40	STT-130-100-42	STK3021-20 + SMT30VSL	230 or 460 3 PH	1,162	\$16,425	\$17,559	\$18,370
SCK-03-EC-TB28	3 Ton	28	W 14x43	STT-130-100-42	STK3021-20 + SMT30VSL	230 or 460 3 PH	1,166	\$16,501	\$17,734	\$18,454
SCK-03-EC-TB32	3 Ton	32	W 14x61	STT-130-100-48	STK3021-20 + SMT30VSL	230 or 460 3 PH	1,192	\$16,889	\$18,221	\$18,850
SCK-03-EC-TB36	3 Ton	36	W 16x67	STT-130-100-54	STK3021-20 + SMT30VSL	230 or 460 3 PH	1,219	\$16,998	\$18,429	\$18,967
SCK-03-EC-TB40	3 Ton	40	W 16x67	STT-130-100-60	STK3021-20 + SMT30VSL	230 or 460 3 PH	1,245	\$17,108	\$18,637	\$19,084
SCK-03-EC-TB44	3 Ton	44	W 18x76	STT-130-100-66	STK3021-20 + SMT30VSL	230 or 460 3 PH	1,272	\$17,217	\$18,845	\$19,200
SCK-03-EC-TB48	3 Ton	48	W 18x86	STT-130-100-72	STK3021-20 + SMT30VSL	230 or 460 3 PH	1,298	\$17,326	\$19,053	\$19,317
SCK-03-EC-TB52	3 Ton	52	W 21x101	STT-130-100-78	STK3021-20 + SMT30VSL	230 or 460 3 PH	1,324	\$19,248	\$21,074	\$21,247
SCK-03-EC-TB56	3 Ton	56	W 21x101	STT-130-100-84	STK3021-20 + SMT30VSL	230 or 460 3 PH	1,351	\$19,439	\$21,364	\$21,445
SCK-03-EC-TB60	3 Ton	60	W 21x111	STT-130-100-90	STK3021-20 + SMT30VSL	230 or 460 3 PH	1,377	\$19,630	\$21,653	\$21,644
SCK-03-EC-TB64	3 Ton	64	W 24x131	STT-130-100-96	STK3021-20 + SMT30VSL	230 or 460 3 PH	1,404	\$19,822	\$21,944	\$21,843

3 Ton Crane Kits

STK VS Electric Chain Hoist + SMT Motorized Trolley

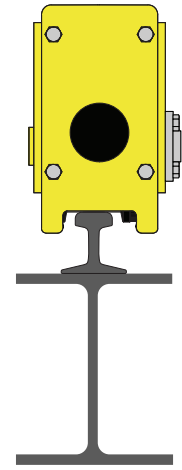


List Price Options

SKU	Cap	Max Bridge Span (ft)	Sugg. Bridge Beam	Endtruck Model	Hoist + Trolley Model	System Voltage	Net Weight (lbs)	List Price Options		
								Festool Only	Traveling Pendant	Radio Kit
SCK-03-VS-TB20	3 Ton	20	W 12x40	STT-130-100-42	STK30VS-20 + SMT30VSL	230 or 460 3 PH	1,172	\$17,250	\$18,286	\$19,188
SCK-03-VS-TB24	3 Ton	24	W 12x40	STT-130-100-42	STK30VS-20 + SMT30VSL	230 or 460 3 PH	1,176	\$17,326	\$18,460	\$19,272
SCK-03-VS-TB28	3 Ton	28	W 14x43	STT-130-100-42	STK30VS-20 + SMT30VSL	230 or 460 3 PH	1,180	\$17,402	\$18,635	\$19,355
SCK-03-VS-TB32	3 Ton	32	W 14x61	STT-130-100-48	STK30VS-20 + SMT30VSL	230 or 460 3 PH	1,206	\$17,791	\$19,123	\$19,751
SCK-03-VS-TB36	3 Ton	36	W 16x67	STT-130-100-54	STK30VS-20 + SMT30VSL	230 or 460 3 PH	1,233	\$17,900	\$19,331	\$19,868
SCK-03-VS-TB40	3 Ton	40	W 16x67	STT-130-100-60	STK30VS-20 + SMT30VSL	230 or 460 3 PH	1,259	\$18,009	\$19,539	\$19,985
SCK-03-VS-TB44	3 Ton	44	W 18x76	STT-130-100-66	STK30VS-20 + SMT30VSL	230 or 460 3 PH	1,286	\$18,118	\$19,747	\$20,102
SCK-03-VS-TB48	3 Ton	48	W 18x86	STT-130-100-72	STK30VS-20 + SMT30VSL	230 or 460 3 PH	1,312	\$18,228	\$19,955	\$20,219
SCK-03-VS-TB52	3 Ton	52	W 21x101	STT-130-100-78	STK30VS-20 + SMT30VSL	230 or 460 3 PH	1,338	\$20,149	\$21,975	\$22,148
SCK-03-VS-TB56	3 Ton	56	W 21x101	STT-130-100-84	STK30VS-20 + SMT30VSL	230 or 460 3 PH	1,365	\$20,340	\$22,265	\$22,347
SCK-03-VS-TB60	3 Ton	60	W 21x111	STT-130-100-90	STK30VS-20 + SMT30VSL	230 or 460 3 PH	1,391	\$20,531	\$22,555	\$22,545
SCK-03-VS-TB64	3 Ton	64	W 24x131	STT-130-100-96	STK30VS-20 + SMT30VSL	230 or 460 3 PH	1,418	\$20,723	\$22,846	\$22,745

3 Ton Crane Kits

SMW Wire Rope Hoist & Trolley



HOISTS

CRANE COMPONENTS

ELECTRIFICATION & CONTROLS

CRANE KITS

SLINGS

SAFETY

List Price Options

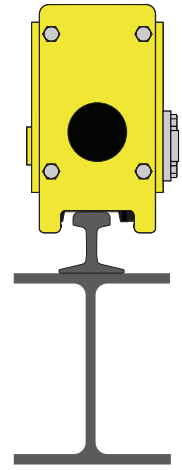
SKU	Cap	Max Bridge Span (ft)	Sugg. Bridge Beam	Endtruck Model	Hoist + Trolley Model	System Voltage	Net Weight (lbs)	Festoon Only	Traveling Pendant	Radio Kit
SCK-03-WR-TB20	3 Ton	20	W 12x40	STT-130-100-42	SMW0324-20	230 or 460 3 PH	1,538	\$16,895	\$17,930	\$18,833
SCK-03-WR-TB24	3 Ton	24	W 12x40	STT-130-100-42	SMW0324-20	230 or 460 3 PH	1,542	\$16,971	\$18,105	\$18,917
SCK-03-WR-TB28	3 Ton	28	W 14x43	STT-130-100-42	SMW0324-20	230 or 460 3 PH	1,546	\$17,047	\$18,280	\$19,000
SCK-03-WR-TB32	3 Ton	32	W 14x61	STT-130-100-48	SMW0324-20	230 or 460 3 PH	1,572	\$17,156	\$18,488	\$19,117
SCK-03-WR-TB36	3 Ton	36	W 16x67	STT-130-100-54	SMW0324-20	230 or 460 3 PH	1,599	\$17,265	\$18,696	\$19,234
SCK-03-WR-TB40	3 Ton	40	W 16x67	STT-130-100-60	SMW0324-20	230 or 460 3 PH	1,625	\$17,375	\$18,904	\$19,351
SCK-03-WR-TB44	3 Ton	44	W 18x76	STT-130-100-66	SMW0324-20	230 or 460 3 PH	1,652	\$17,484	\$19,112	\$19,468
SCK-03-WR-TB48	3 Ton	48	W 18x86	STT-130-100-72	SMW0324-20	230 or 460 3 PH	1,678	\$17,593	\$19,320	\$19,584
SCK-03-WR-TB52	3 Ton	52	W 21x101	STT-130-100-78	SMW0324-20	230 or 460 3 PH	1,704	\$19,447	\$21,273	\$21,445
SCK-03-WR-TB56	3 Ton	56	W 21x101	STT-130-100-84	SMW0324-20	230 or 460 3 PH	1,731	\$19,638	\$21,562	\$21,644
SCK-03-WR-TB60	3 Ton	60	W 21x111	STT-130-100-90	SMW0324-20	230 or 460 3 PH	1,757	\$19,829	\$21,852	\$21,843
SCK-03-WR-TB64	3 Ton	64	W 24x131	STT-130-100-96	SMW0324-20	230 or 460 3 PH	1,784	\$20,020	\$22,143	\$22,042

HOISTS

5 Ton Crane Kits

STK Electric Chain Hoist + SMT Motorized Trolley

CRANE COMPONENTS



ELECTRIFICATION & CONTROLS

CRANE KITS

SLINGS

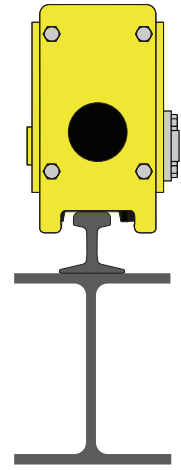
SAFETY

List Price Options

SKU	Cap	Max Bridge Span (ft)	Sugg. Bridge Beam	Endtruck Model	Hoist + Trolley Model	System Voltage	Net Weight (lbs)	Festoon Only	Traveling Pendant	Radio Kit
SCK-05-EC-TB20	5 Ton	20	W 14x48	STT-170-150-48	STK5011-20 + SMT50VSL	230 or 460 3 PH	1,115	\$18,825	\$19,860	\$20,763
SCK-05-EC-TB24	5 Ton	24	W 14x53	STT-170-150-48	STK5011-20 + SMT50VSL	230 or 460 3 PH	1,119	\$18,901	\$20,035	\$20,847
SCK-05-EC-TB28	5 Ton	28	W 14x61	STT-170-150-48	STK5011-20 + SMT50VSL	230 or 460 3 PH	1,123	\$18,977	\$20,210	\$20,930
SCK-05-EC-TB32	5 Ton	32	W 16x67	STT-170-150-48	STK5011-20 + SMT50VSL	230 or 460 3 PH	1,127	\$19,053	\$20,385	\$21,014
SCK-05-EC-TB36	5 Ton	36	W 18x76	STT-170-150-54	STK5011-20 + SMT50VSL	230 or 460 3 PH	1,163	\$19,156	\$20,587	\$21,125
SCK-05-EC-TB40	5 Ton	40	W 18x86	STT-170-150-60	STK5011-20 + SMT50VSL	230 or 460 3 PH	1,198	\$19,591	\$21,120	\$21,567
SCK-05-EC-TB44	5 Ton	44	W 21x101	STT-170-150-66	STK5011-20 + SMT50VSL	230 or 460 3 PH	1,234	\$19,769	\$21,398	\$21,753
SCK-05-EC-TB48	5 Ton	48	W 21x101	STT-170-150-72	STK5011-20 + SMT50VSL	230 or 460 3 PH	1,270	\$19,873	\$21,600	\$21,864
SCK-05-EC-TB52	5 Ton	52	W 21x111	STT-170-150-78	STK5011-20 + SMT50VSL	230 or 460 3 PH	1,306	\$19,977	\$21,802	\$21,975
SCK-05-EC-TB56	5 Ton	56	W 24x131	STT-170-150-84	STK5011-20 + SMT50VSL	230 or 460 3 PH	1,342	\$20,080	\$22,005	\$22,086
SCK-05-EC-TB60	5 Ton	60	W 27x146	STT-170-150-90	STK5011-20 + SMT50VSL	230 or 460 3 PH	1,378	\$20,184	\$22,207	\$22,198
SCK-05-EC-TB64	5 Ton	64	W 27x146	STT-170-150-96	STK5011-20 + SMT50VSL	230 or 460 3 PH	1,414	\$20,287	\$22,410	\$22,309
SCK-05-EC-TB68	5 Ton	68	Mono-Box	STT-170-150-102	STK5011-20 + SMT50VSL	230 or 460 3 PH	1,449	\$22,406	\$24,627	\$24,435
SCK-05-EC-TB72	5 Ton	72	Mono-Box	STT-170-150-108	STK5011-20 + SMT50VSL	230 or 460 3 PH	1,485	\$22,638	\$24,957	\$24,674
SCK-05-EC-TB76	5 Ton	76	Mono-Box	STT-170-150-114	STK5011-20 + SMT50VSL	230 or 460 3 PH	1,521	\$22,869	\$25,288	\$24,914
SCK-05-EC-TB80	5 Ton	80	Mono-Box	STT-170-150-120	STK5011-20 + SMT50VSL	230 or 460 3 PH	1,557	\$23,099	\$25,617	\$25,151
SCK-05-EC-TB84	5 Ton	84	Mono-Box	STT-170-150-126	STK5011-20 + SMT50VSL	230 or 460 3 PH	1,593	\$23,332	\$25,948	\$25,392

5 Ton Crane Kits

SMW Wire Rope Hoist & Trolley



HOISTS

CRANE COMPONENTS

ELECTRIFICATION & CONTROLS

CRANE KITS

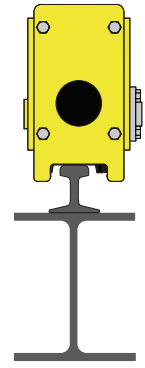
SLINGS

SAFETY

SKU	Cap	Max Bridge Span (ft)	Sugg. Bridge Beam	Endtruck Model	Hoist + Trolley Model	System Voltage	Net Weight (lbs)	List Price Options		
								Festoon Only	Traveling Pendant	Radio Kit
SCK-05-WR-TB20	5 Ton	20	W 14x48	STT-170-150-48	SMW0524-20	230 or 460 3 PH	1,519	\$18,825	\$19,860	\$20,763
SCK-05-WR-TB24	5 Ton	24	W 14x53	STT-170-150-48	SMW0524-20	230 or 460 3 PH	1,523	\$18,901	\$20,035	\$20,847
SCK-05-WR-TB28	5 Ton	28	W 14x61	STT-170-150-48	SMW0524-20	230 or 460 3 PH	1,527	\$18,977	\$20,210	\$20,930
SCK-05-WR-TB32	5 Ton	32	W 16x67	STT-170-150-48	SMW0524-20	230 or 460 3 PH	1,531	\$19,053	\$20,385	\$21,014
SCK-05-WR-TB36	5 Ton	36	W 18x76	STT-170-150-54	SMW0524-20	230 or 460 3 PH	1,567	\$19,156	\$20,587	\$21,125
SCK-05-WR-TB40	5 Ton	40	W 18x86	STT-170-150-60	SMW0524-20	230 or 460 3 PH	1,602	\$19,260	\$20,790	\$21,236
SCK-05-WR-TB44	5 Ton	44	W 21x101	STT-170-150-66	SMW0524-20	230 or 460 3 PH	1,638	\$19,364	\$20,992	\$21,347
SCK-05-WR-TB48	5 Ton	48	W 21x101	STT-170-150-72	SMW0524-20	230 or 460 3 PH	1,674	\$19,467	\$21,194	\$21,458
SCK-05-WR-TB52	5 Ton	52	W 21x111	STT-170-150-78	SMW0524-20	230 or 460 3 PH	1,710	\$19,571	\$21,397	\$21,569
SCK-05-WR-TB56	5 Ton	56	W 24x131	STT-170-150-84	SMW0524-20	230 or 460 3 PH	1,746	\$19,674	\$21,599	\$21,681
SCK-05-WR-TB60	5 Ton	60	W 27x146	STT-170-150-90	SMW0524-20	230 or 460 3 PH	1,782	\$19,778	\$21,801	\$21,792
SCK-05-WR-TB64	5 Ton	64	W 27x146	STT-170-150-96	SMW0524-20	230 or 460 3 PH	1,818	\$19,881	\$22,004	\$21,903
SCK-05-WR-TB68	5 Ton	68	Mono-Box	STT-170-150-102	SMW0524-20	230 or 460 3 PH	1,853	\$24,057	\$26,278	\$26,086
SCK-05-WR-TB72	5 Ton	72	Mono-Box	STT-170-150-108	SMW0524-20	230 or 460 3 PH	1,889	\$24,288	\$26,608	\$26,325
SCK-05-WR-TB76	5 Ton	76	Mono-Box	STT-170-150-114	SMW0524-20	230 or 460 3 PH	1,925	\$24,520	\$26,939	\$26,565
SCK-05-WR-TB80	5 Ton	80	Mono-Box	STT-170-150-120	SMW0524-20	230 or 460 3 PH	1,961	\$24,750	\$27,268	\$26,802
SCK-05-WR-TB84	5 Ton	84	Mono-Box	STT-170-150-126	SMW0524-20	230 or 460 3 PH	1,997	\$24,983	\$27,599	\$27,042

7.5 Ton Crane Kits

SMW Wire Rope Hoist & Trolley

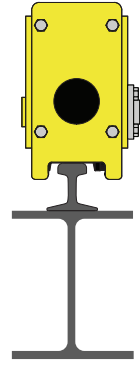


List Price Options

SKU	Cap	Max Bridge Span (ft)	Sugg. Bridge Beam	Endtruck Model	Hoist + Trolley Model	System Voltage	Net Weight (lbs)	Festoon Only	Traveling Pendant	Radio Kit
SCK-07-WR-TB20	7.5 Ton	20	W 16x77	STT-250-150-54	SMW1021-20	230 or 460 3 PH	3,359	\$25,690	\$26,726	\$27,628
SCK-07-WR-TB24	7.5 Ton	24	W 16x77	STT-250-150-54	SMW1021-20	230 or 460 3 PH	3,363	\$25,766	\$26,901	\$27,712
SCK-07-WR-TB28	7.5 Ton	28	W 18x86	STT-250-150-54	SMW1021-20	230 or 460 3 PH	3,367	\$25,842	\$27,076	\$27,796
SCK-07-WR-TB32	7.5 Ton	32	W 21x101	STT-250-150-54	SMW1021-20	230 or 460 3 PH	3,371	\$25,918	\$27,250	\$27,879
SCK-07-WR-TB36	7.5 Ton	36	W 21x101	STT-250-150-54	SMW1021-20	230 or 460 3 PH	3,375	\$25,994	\$27,425	\$27,963
SCK-07-WR-TB40	7.5 Ton	40	W 21x111	STT-250-150-60	SMW1021-20	230 or 460 3 PH	3,428	\$26,121	\$27,650	\$28,097
SCK-07-WR-TB44	7.5 Ton	44	W 21x111	STT-250-150-60	SMW1021-20	230 or 460 3 PH	3,432	\$26,197	\$27,825	\$28,180
SCK-07-WR-TB48	7.5 Ton	48	W 24x131	STT-250-150-72	SMW1021-20	230 or 460 3 PH	3,485	\$26,323	\$28,050	\$28,314
SCK-07-WR-TB52	7.5 Ton	52	W 24x131	STT-250-150-78	SMW1021-20	230 or 460 3 PH	3,537	\$26,449	\$28,275	\$28,448
SCK-07-WR-TB56	7.5 Ton	56	W 24x131	STT-250-150-84	SMW1021-20	230 or 460 3 PH	3,590	\$26,576	\$28,501	\$28,582
SCK-07-WR-TB60	7.5 Ton	60	W 27x146	STT-250-150-90	SMW1021-20	230 or 460 3 PH	3,643	\$26,702	\$28,726	\$28,716
SCK-07-WR-TB64	7.5 Ton	64	Mono-Box	STT-250-150-96	SMW1021-20	230 or 460 3 PH	3,696	\$28,885	\$31,008	\$30,907
SCK-07-WR-TB68	7.5 Ton	68	Mono-Box	STT-250-150-102	SMW1021-20	230 or 460 3 PH	3,749	\$29,012	\$31,233	\$31,041
SCK-07-WR-TB72	7.5 Ton	72	Mono-Box	STT-250-150-108	SMW1021-20	230 or 460 3 PH	3,802	\$29,138	\$31,458	\$31,175
SCK-07-WR-TB76	7.5 Ton	76	Mono-Box	STT-250-150-114	SMW1021-20	230 or 460 3 PH	3,855	\$29,264	\$31,683	\$31,309
SCK-07-WR-TB80	7.5 Ton	80	Mono-Box	STT-250-150-120	SMW1021-20	230 or 460 3 PH	3,908	\$29,391	\$31,908	\$31,443
SCK-07-WR-TB84	7.5 Ton	84	Mono-Box	STT-250-150-126	SMW1021-20	230 or 460 3 PH	3,960	\$32,794	\$35,410	\$34,853
SCK-07-WR-TB88	7.5 Ton	88	Mono-Box	STT-250-150-132	SMW1021-20	230 or 460 3 PH	4,013	\$33,024	\$35,739	\$35,091
SCK-07-WR-TB92	7.5 Ton	92	Mono-Box	STT-250-150-138	SMW1021-20	230 or 460 3 PH	4,066	\$33,255	\$36,069	\$35,330
SCK-07-WR-TB96	7.5 Ton	96	Mono-Box	STT-250-150-144	SMW1021-20	230 or 460 3 PH	4,119	\$33,486	\$36,399	\$35,569
SCK-07-WR-TB100	7.5 Ton	100	Mono-Box	STT-250-150-150	SMW1021-20	230 or 460 3 PH	4,172	\$33,717	\$36,728	\$35,807

10 Ton Crane Kits

SMW Wire Rope Hoist & Trolley



HOISTS

CRANE COMPONENTS

ELECTRIFICATION & CONTROLS

CRANE KITS

SLINGS

SAFETY

List Price Options

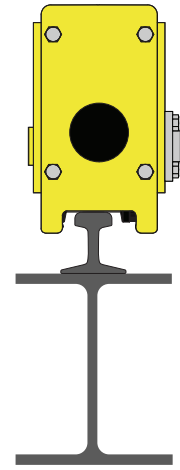
SKU	Cap	Max Bridge Span (ft)	Sugg. Bridge Beam	Endtruck Model	Hoist + Trolley Model	System Voltage	Net Weight (lbs)	Festoon Only	Traveling Pendant	Radio Kit
SCK-10-WR-TB20	10 Ton	20	W 16x89	STT-250-150-54	SMW1021-20	230 or 460 3 PH	3,359	\$25,690	\$26,726	\$27,628
SCK-10-WR-TB24	10 Ton	24	W 18x97	STT-250-150-54	SMW1021-20	230 or 460 3 PH	3,363	\$25,766	\$26,901	\$27,712
SCK-10-WR-TB28	10 Ton	28	W 24x131	STT-250-150-54	SMW1021-20	230 or 460 3 PH	3,367	\$25,842	\$27,076	\$27,796
SCK-10-WR-TB32	10 Ton	32	W 24x131	STT-250-150-54	SMW1021-20	230 or 460 3 PH	3,371	\$25,918	\$27,250	\$27,879
SCK-10-WR-TB36	10 Ton	36	W 24x131	STT-250-150-54	SMW1021-20	230 or 460 3 PH	3,375	\$25,994	\$27,425	\$27,963
SCK-10-WR-TB40	10 Ton	40	W 24x131	STT-250-150-60	SMW1021-20	230 or 460 3 PH	3,428	\$26,121	\$27,650	\$28,097
SCK-10-WR-TB44	10 Ton	44	W 27x146	STT-250-150-60	SMW1021-20	230 or 460 3 PH	3,432	\$26,197	\$27,825	\$28,180
SCK-10-WR-TB48	10 Ton	48	W 27x146	STT-250-150-72	SMW1021-20	230 or 460 3 PH	3,485	\$26,323	\$28,050	\$28,314
SCK-10-WR-TB52	10 Ton	52	W 27x161	STT-250-150-78	SMW1021-20	230 or 460 3 PH	3,537	\$26,449	\$28,275	\$28,448
SCK-10-WR-TB56	10 Ton	56	Mono-Box	STT-250-150-84	SMW1021-20	230 or 460 3 PH	3,590	\$28,633	\$30,557	\$30,639
SCK-10-WR-TB60	10 Ton	60	Mono-Box	STT-250-150-90	SMW1021-20	230 or 460 3 PH	3,643	\$28,759	\$30,782	\$30,773
SCK-10-WR-TB64	10 Ton	64	Mono-Box	STT-250-150-96	SMW1021-20	230 or 460 3 PH	3,696	\$28,885	\$31,008	\$30,907
SCK-10-WR-TB68	10 Ton	68	Mono-Box	STT-250-150-102	SMW1021-20	230 or 460 3 PH	3,749	\$29,012	\$31,233	\$31,041
SCK-10-WR-TB72	10 Ton	72	Mono-Box	STT-250-150-108	SMW1021-20	230 or 460 3 PH	3,802	\$29,138	\$31,458	\$31,175
SCK-10-WR-TB76	10 Ton	76	Mono-Box	STT-250-150-114	SMW1021-20	230 or 460 3 PH	3,855	\$29,264	\$31,683	\$31,309
SCK-10-WR-TB80	10 Ton	80	Mono-Box	STT-250-150-120	SMW1021-20	230 or 460 3 PH	3,908	\$29,391	\$31,908	\$31,443
SCK-10-WR-TB84	10 Ton	84	Mono-Box	STT-250-150-126	SMW1021-20	230 or 460 3 PH	3,960	\$32,794	\$35,410	\$34,853
SCK-10-WR-TB88	10 Ton	88	Mono-Box	STT-250-150-132	SMW1021-20	230 or 460 3 PH	4,013	\$33,024	\$35,739	\$35,091
SCK-10-WR-TB92	10 Ton	92	Mono-Box	STT-250-150-138	SMW1021-20	230 or 460 3 PH	4,066	\$33,255	\$36,069	\$35,330
SCK-10-WR-TB96	10 Ton	96	Mono-Box	STT-250-150-144	SMW1021-20	230 or 460 3 PH	4,119	\$33,486	\$36,399	\$35,569
SCK-10-WR-TB100	10 Ton	100	Mono-Box	STT-250-150-150	SMW1021-20	230 or 460 3 PH	4,172	\$33,717	\$36,728	\$35,807

HOISTS

15 Ton Crane Kits

SMW Wire Rope Hoist & Trolley

CRANE COMPONENTS



ELECTRIFICATION & CONTROLS

CRANE KITS

SLINGS

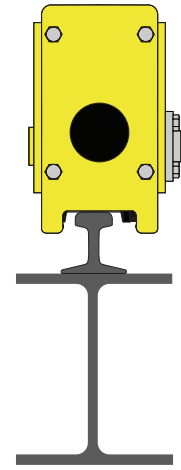
SAFETY

List Price Options

SKU	Cap	Max Bridge Span (ft)	Sugg. Bridge Beam	Endtruck Model	Hoist + Trolley Model	System Voltage	Net Weight (lbs)	Festoon Only	Traveling Pendant	Radio Kit
SCK-15-WR-TB20	15 Ton	20	W 18x119	STT-300-200-60	SMW1521-20	230 or 460 3 PH	3,955	\$36,846	\$37,881	\$38,784
SCK-15-WR-TB24	15 Ton	24	W 27x146	STT-300-200-60	SMW1521-20	230 or 460 3 PH	3,959	\$36,922	\$38,056	\$38,867
SCK-15-WR-TB28	15 Ton	28	W 27x146	STT-300-200-60	SMW1521-20	230 or 460 3 PH	3,963	\$36,998	\$38,231	\$38,951
SCK-15-WR-TB32	15 Ton	32	W 27x161	STT-300-200-60	SMW1521-20	230 or 460 3 PH	3,967	\$37,074	\$38,406	\$39,035
SCK-15-WR-TB36	15 Ton	36	W 27x161	STT-300-200-60	SMW1521-20	230 or 460 3 PH	3,971	\$37,150	\$38,580	\$39,118
SCK-15-WR-TB40	15 Ton	40	W 27x161	STT-300-200-60	SMW1521-20	230 or 460 3 PH	3,975	\$37,226	\$38,755	\$39,202
SCK-15-WR-TB44	15 Ton	44	W 27x161	STT-300-200-66	SMW1521-20	230 or 460 3 PH	4,037	\$37,367	\$38,995	\$39,350
SCK-15-WR-TB48	15 Ton	48	Mono-Box	STT-300-200-78	SMW1521-20	230 or 460 3 PH	4,100	\$39,565	\$41,292	\$41,556
SCK-15-WR-TB52	15 Ton	52	Mono-Box	STT-300-200-78	SMW1521-20	230 or 460 3 PH	4,104	\$39,641	\$41,467	\$41,640
SCK-15-WR-TB56	15 Ton	56	Mono-Box	STT-300-200-78	SMW1521-20	230 or 460 3 PH	4,108	\$39,717	\$41,642	\$41,724
SCK-15-WR-TB60	15 Ton	60	Mono-Box	STT-300-200-90	SMW1521-20	230 or 460 3 PH	4,228	\$39,924	\$41,948	\$41,938
SCK-15-WR-TB64	15 Ton	64	Mono-Box	STT-300-200-96	SMW1521-20	230 or 460 3 PH	4,290	\$40,066	\$42,188	\$42,087
SCK-15-WR-TB68	15 Ton	68	Mono-Box	STT-300-200-102	SMW1521-20	230 or 460 3 PH	4,352	\$40,207	\$42,428	\$42,237
SCK-15-WR-TB72	15 Ton	72	Mono-Box	STT-300-200-108	SMW1521-20	230 or 460 3 PH	4,414	\$40,349	\$42,669	\$42,386

15 Ton Crane Kits (cont.)

SMW Wire Rope Hoist & Trolley



HOISTS

CRANE COMPONENTS

List Price Options

SKU	Cap	Max Bridge Span (ft)	Sugg. Bridge Beam	Endtruck Model	Hoist + Trolley Model	System Voltage	Net Weight (lbs)	Festoon Only	Traveling Pendant	Radio Kit
SCK-15-WR-TB76	15 Ton	76	Mono-Box	STT-300-200-114	SMW1521-20	230 or 460 3 PH	4,476	\$40,490	\$42,909	\$42,535
SCK-15-WR-TB80	15 Ton	80	Mono-Box	STT-300-200-120	SMW1521-20	230 or 460 3 PH	4,538	\$40,632	\$43,150	\$42,684
SCK-15-WR-TB84	15 Ton	84	Mono-Box	STT-300-200-126	SMW1521-20	230 or 460 3 PH	4,600	\$40,774	\$43,390	\$42,833
SCK-15-WR-TB88	15 Ton	88	Mono-Box	STT-300-200-132	SMW1521-20	230 or 460 3 PH	4,662	\$40,203	\$42,918	\$42,270
SCK-15-WR-TB92	15 Ton	92	Mono-Box	STT-300-200-138	SMW1521-20	230 or 460 3 PH	4,725	\$41,057	\$43,871	\$43,131
SCK-15-WR-TB96	15 Ton	96	Mono-Box	STT-300-200-144	SMW1521-20	230 or 460 3 PH	4,787	\$42,354	\$45,267	\$44,436
SCK-15-WR-TB100	15 Ton	100	Mono-Box	STT-300-200-150	SMW1521-20	230 or 460 3 PH	4,849	\$42,634	\$45,646	\$44,724
SCK-15-WR-TB104	15 Ton	104	Mono-Box	STT-300-200-156	SMW1521-20	230 or 460 3 PH	4,911	\$42,915	\$46,025	\$45,012
SCK-15-WR-TB108	15 Ton	108	Mono-Box	STT-300-200-162	SMW1521-20	230 or 460 3 PH	4,973	\$43,195	\$46,404	\$45,301
SCK-15-WR-TB112	15 Ton	112	Mono-Box	STT-300-200-168	SMW1521-20	230 or 460 3 PH	5,035	\$43,476	\$46,784	\$45,589
SCK-15-WR-TB116	15 Ton	116	Mono-Box	STT-300-200-174	SMW1521-20	230 or 460 3 PH	5,097	\$43,756	\$47,163	\$45,877
SCK-15-WR-TB120	15 Ton	120	Mono-Box	STT-300-200-180	SMW1521-20	230 or 460 3 PH	5,159	\$44,037	\$47,542	\$46,165
SCK-15-WR-TB124	15 Ton	124	Mono-Box	STT-300-200-186	SMW1521-20	230 or 460 3 PH	5,221	\$44,317	\$47,922	\$46,453
SCK-15-WR-TB128	15 Ton	128	Mono-Box	STT-300-200-192	SMW1521-20	230 or 460 3 PH	5,283	\$44,598	\$48,301	\$46,741

ELECTRIFICATION & CONTROLS

CRANE KITS

SLINGS

SAFETY

TOP-RUNNER CRANE KITS

A complete crane kit that comes with the following components.

- (2) End Trucks with Girder Plates (prime-painted gray)
- (2) Gearmotors with quick-plug adaptors
- (4) Rubber Bumpers for end trucks
- (1) VFD Bridge Control Panel with Mounting Bracket
- (1) Bridge Crane Power Feed & Endtruck Cable Kit with Quick Plug to Panel
- (2) Adjustable Bridge End Stop Kits for Hoist Travel
- (1) Short Motor Power & Control Cable
- (1) Long Motor Power & Control Cable
- (1) Runway Electrification Mount with 10' Panel Power Supply
- Zip Tie & Clamp Kit for Cable Management
- Capacity Decal Kit
- Power & Control Package Options A, B, or C



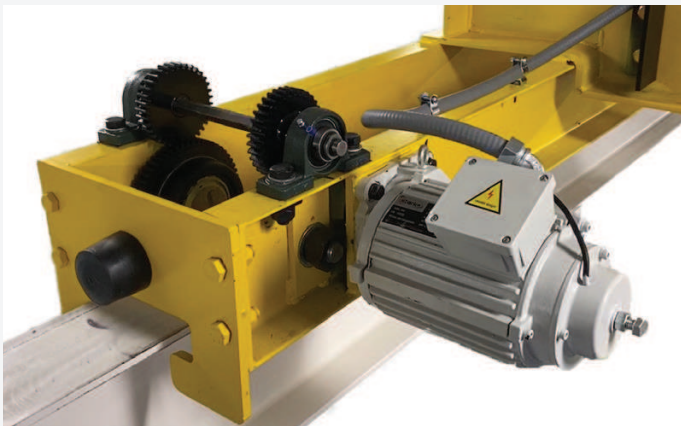
Optional Stationary Emergency Pendant Control with 17' Drop Cord & Quick-Plug to Control Panel (\$435 Add-On)

Hoist Option

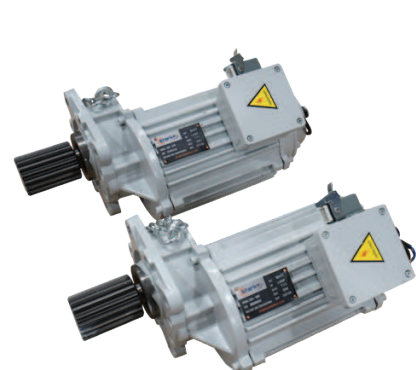


Electric Chain Hoists with Trolley

End Trucks



Gear Motors



Base Package for All Crane Kits

HOISTS

CRANE COMPONENTS

ELECTRIFICATION & CONTROLS

CRANE KITS

SLINGS

SAFETY

VFD Control Panel with Amber Strobe Light



Power Feed Cable



Control Panel Mounting Bracket



Quick Plug Connectors for All Cable Connections

Motor Feed Cables



Cable Management Kit



Adjustable Bridge Crane End Stops



End Truck Bumpers

Crane Package "A" Controls

Power & Controls Festoon Package
(No Pendant or Radio Included)

Festoon Package



Power & Control Cables



Crane Package "B" Controls

Power & Controls Festoon Package including Independent Traveling Pendant Station



Crane Package "C" Controls

Festoonless ElectroTrack Package + InMotion K-Series Radio Control for Wireless Communication to Hoist, Trolley, and End Trucks (Includes 2 Transmitters)



HOISTS

CRANE COMPONENTS

ELECTRIFICATION & CONTROLS

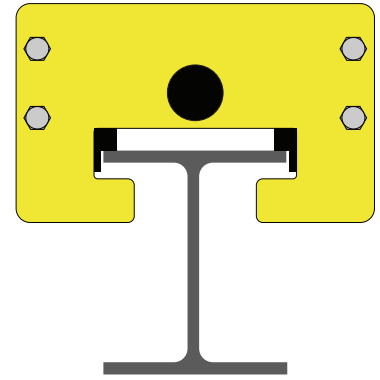
CRANE KITS

SLINGS

SAFETY

1 Ton Crane Kits

STK Electric Chain Hoist + SMT Motorized Trolley

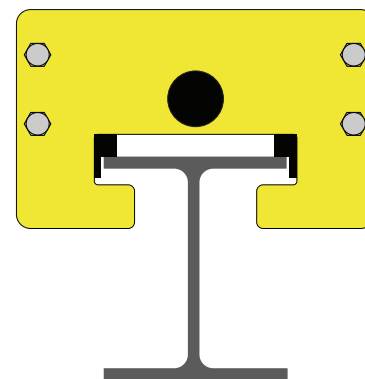


List Price Options

SKU	Cap	Max Bridge Span (ft)	Sugg. Bridge Beam	Endtruck Model	Hoist + Trolley Model	System Voltage	Net Weight (lbs)	Festoon Only	Traveling Pendant	Radio Kit
SCK-01-EC-TR20	1 Ton	20	W 10x22	SCT-110-100-42	STK1026-20 + SMT10VSL	230 or 460 3 PH	907	\$13,974	\$15,009	\$15,912
SCK-01-EC-TR24	1 Ton	24	W 10x22	SCT-110-100-42	STK1026-20 + SMT10VSL	230 or 460 3 PH	911	\$14,050	\$15,184	\$15,995
SCK-01-EC-TR28	1 Ton	28	W 12x26	SCT-110-100-42	STK1026-20 + SMT10VSL	230 or 460 3 PH	915	\$14,126	\$15,359	\$16,079
SCK-01-EC-TR32	1 Ton	32	W 14x34	SCT-110-100-48	STK1026-20 + SMT10VSL	230 or 460 3 PH	936	\$14,263	\$15,595	\$16,223
SCK-01-EC-TR36	1 Ton	36	W 14x38	SCT-110-100-54	STK1026-20 + SMT10VSL	230 or 460 3 PH	958	\$14,399	\$15,830	\$16,368
SCK-01-EC-TR40	1 Ton	40	W 14x43	SCT-110-100-60	STK1026-20 + SMT10VSL	230 or 460 3 PH	979	\$14,536	\$16,066	\$16,512
SCK-01-EC-TR44	1 Ton	44	W 14x48	SCT-110-100-66	STK1026-20 + SMT10VSL	230 or 460 3 PH	1,002	\$14,673	\$16,302	\$16,657
SCK-01-EC-TR48	1 Ton	48	W 14x61	SCT-110-100-72	STK1026-20 + SMT10VSL	230 or 460 3 PH	1,074	\$15,021	\$16,748	\$17,012
SCK-01-EC-TR52	1 Ton	52	W 16x67	SCT-110-100-78	STK1026-20 + SMT10VSL	230 or 460 3 PH	1,099	\$15,158	\$16,984	\$17,157
SCK-01-EC-TR56	1 Ton	56	W 18x76	SCT-130-100-84	STK1026-20 + SMT10VSL	230 or 460 3 PH	1,124	\$16,373	\$18,298	\$18,380

2 Ton Crane Kits

STK Electric Chain Hoist + SMT Motorized Trolley



SKU	Cap	Max Bridge Span (ft)	Sugg. Bridge Beam	Endtruck Model	Hoist + Trolley Model	System Voltage	Net Weight (lbs)	List Price Options		
								Festoon Only	Traveling Pendant	Radio Kit
SCK-02-EC-TR20	2 Ton	20	W 12x26	SCT-110-100-42	STK2026-20 + SMT20VSL	230 or 460 3 PH	1,046	\$15,063	\$16,099	\$17,001
SCK-02-EC-TR24	2 Ton	24	W 14x30	SCT-110-100-42	STK2026-20 + SMT20VSL	230 or 460 3 PH	1,050	\$15,139	\$16,274	\$17,085
SCK-02-EC-TR28	2 Ton	28	W 14x34	SCT-110-100-42	STK2026-20 + SMT20VSL	230 or 460 3 PH	1,054	\$15,215	\$16,448	\$17,169
SCK-02-EC-TR32	2 Ton	32	W 14x43	SCT-110-100-48	STK2026-20 + SMT20VSL	230 or 460 3 PH	1,075	\$15,352	\$16,684	\$17,313
SCK-02-EC-TR36	2 Ton	36	W 14x53	SCT-110-100-54	STK2026-20 + SMT20VSL	230 or 460 3 PH	1,097	\$15,489	\$16,920	\$17,458
SCK-02-EC-TR40	2 Ton	40	W 16x67	SCT-110-100-60	STK2026-20 + SMT20VSL	230 or 460 3 PH	1,118	\$15,871	\$17,401	\$17,847
SCK-02-EC-TR44	2 Ton	44	W 16x67	SCT-110-100-66	STK2026-20 + SMT20VSL	230 or 460 3 PH	1,141	\$16,008	\$17,636	\$17,992
SCK-02-EC-TR48	2 Ton	48	W 18x76	SCT-110-100-72	STK2026-20 + SMT20VSL	230 or 460 3 PH	1,213	\$16,145	\$17,872	\$18,136
SCK-02-EC-TR52	2 Ton	52	W 18x76	SCT-130-100-78	STK2026-20 + SMT20VSL	230 or 460 3 PH	1,443	\$17,345	\$19,171	\$19,344
SCK-02-EC-TR56	2 Ton	56	W 21x101	SCT-130-100-84	STK2026-20 + SMT20VSL	230 or 460 3 PH	1,476	\$17,555	\$19,480	\$19,562

HOISTS

CRANE COMPONENTS

ELECTRIFICATION & CONTROLS

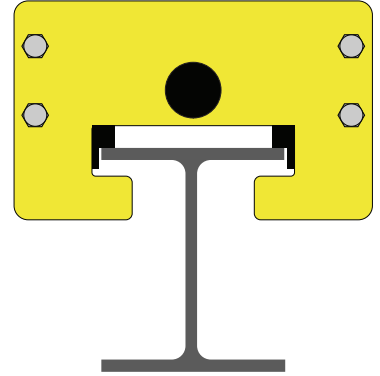
CRANE KITS

SLINGS

SAFETY

3 Ton Crane Kits

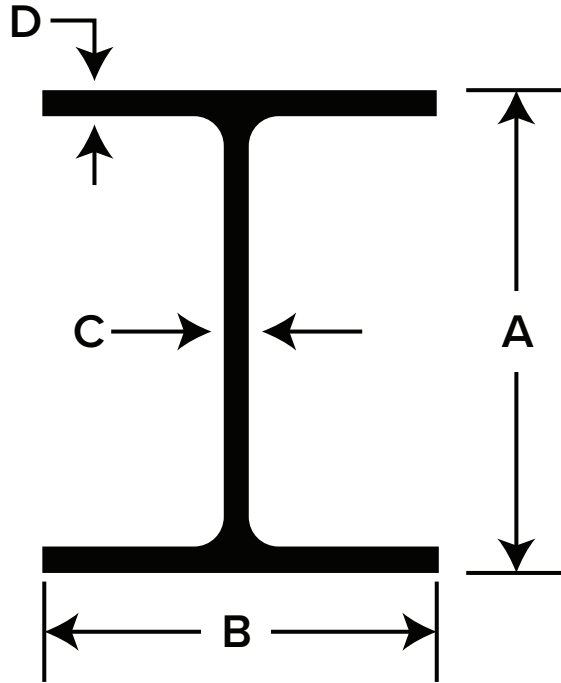
STK Electric Chain Hoist + SMT Motorized Trolley



List Price Options

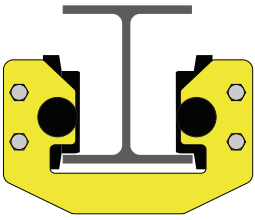
SKU	Cap	Max Bridge Span (ft)	Sugg. Bridge Beam	Endtruck Model	Hoist + Trolley Model	System Voltage	Net Weight (lbs)	Festoon Only	Traveling Pendant	Radio Kit
SCK-03-EC-TR20	3 Ton	20	W 12x40	SCT-130-100-48	STK3021-20 + SMT30VSL	230 or 460 3 PH	1,207	\$17,080	\$18,115	\$19,018
SCK-03-EC-TR24	3 Ton	24	W 12x40	SCT-130-100-48	STK3021-20 + SMT30VSL	230 or 460 3 PH	1,211	\$17,156	\$18,290	\$19,102
SCK-03-EC-TR28	3 Ton	28	W 14x43	SCT-130-100-48	STK3021-20 + SMT30VSL	230 or 460 3 PH	1,215	\$17,232	\$18,465	\$19,185
SCK-03-EC-TR32	3 Ton	32	W 14x61	SCT-130-100-48	STK3021-20 + SMT30VSL	230 or 460 3 PH	1,243	\$17,587	\$18,919	\$19,548
SCK-03-EC-TR36	3 Ton	36	W 16x67	SCT-130-100-54	STK3021-20 + SMT30VSL	230 or 460 3 PH	1,271	\$17,739	\$19,170	\$19,708
SCK-03-EC-TR40	3 Ton	40	W 16x67	SCT-130-100-60	STK3021-20 + SMT30VSL	230 or 460 3 PH	1,299	\$17,891	\$19,421	\$19,867
SCK-03-EC-TR44	3 Ton	44	W 18x76	SCT-130-100-66	STK3021-20 + SMT30VSL	230 or 460 3 PH	1,328	\$18,043	\$19,672	\$20,027
SCK-03-EC-TR48	3 Ton	48	W 18x86	SCT-130-100-72	STK3021-20 + SMT30VSL	230 or 460 3 PH	1,426	\$18,196	\$19,923	\$20,187
SCK-03-EC-TR52	3 Ton	52	W 21x101	SCT-130-100-78	STK3021-20 + SMT30VSL	230 or 460 3 PH	1,459	\$18,416	\$20,242	\$20,415
SCK-03-EC-TR56	3 Ton	56	W 21x101	SCT-130-100-84	STK3021-20 + SMT30VSL	230 or 460 3 PH	1,492	\$18,568	\$20,493	\$20,575

Wide Flange Beam Chart



Designation	Weight (per ft)	Depth of Section (A)	Width of Flange (B)	Thickness of Web (C)	Flange Thickness (D)
W 10x22	22	10.17	5.75	0.36	0.24
W 12x26	26	12.22	6.49	0.38	0.23
W 12x40	40	11.94	8.01	0.52	0.30
W 14x30	30	13.84	6.73	0.39	0.27
W 14x34	34	13.98	6.75	0.46	0.29
W 14x38	38	14.10	6.77	0.52	0.31
W 14x43	43	13.66	8.00	0.53	0.31
W 14x48	48	13.79	8.03	0.60	0.34
W 14x53	53	13.92	8.06	0.66	0.37
W 14x61	61	13.89	10.00	0.65	0.38
W 16x67	67	16.33	10.24	0.67	0.40
W 16x77	77	16.52	10.30	0.76	0.46
W 16x89	89	16.75	10.37	0.88	0.53
W 18x76	76	18.21	11.04	0.68	0.43
W 18x86	86	18.39	11.09	0.77	0.48
W 18x97	97	18.59	11.15	0.87	0.54
W 18x119	119	18.97	11.27	1.06	1.06
W 21x101	101	21.36	12.29	0.80	0.50
W 21x111	111	21.51	12.34	0.88	0.55
W 24x131	131	24.48	12.86	0.96	0.61
W 27x146	146	27.38	13.97	0.98	0.61
W 27x161	161	27.59	14.02	1.08	0.66

UNDER-RUNNING CRANE KITS



A complete crane kit that comes with the following components.

- (2) End Trucks with Girder Plates (prime-painted gray)
- (2) Gearmotors with quick-plug adaptors
- (4) Rubber Bumpers for end trucks
- (1) VFD Bridge Control Panel with Mounting Bracket
- (1) Bridge Crane Power Feed & Endtruck Cable Kit with Quick Plug to Panel
- (2) Adjustable Bridge End Stop Kits for Hoist Travel
- (1) Short Motor Power & Control Cable
- (1) Long Motor Power & Control Cable
- (1) Runway Electrification Mount with 10' Panel Power Supply
- Zip Tie & Clamp Kit for Cable Management
- Capacity Decal Kit
- Power & Control Package Options A, B, or C



Optional Stationary Emergency Pendant Control with 17' Drop Cord & Quick-Plug to Control Panel (\$435 Add-On)

Hoist Options



Electric Chain Hoists with Trolley

OR

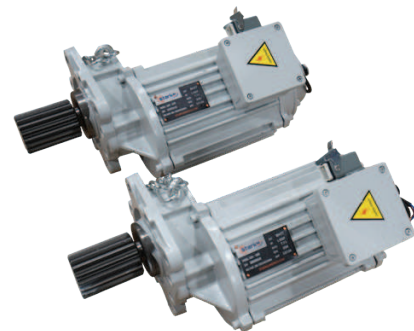


Wire Rope Hoists

End Trucks



Gear Motors



HOISTS

CRANE COMPONENTS

ELECTRIFICATION & CONTROLS

CRANE KITS

SLINGS

SAFETY

Base Package for All Crane Kits

HOISTS
CRANE COMPONENTS
ELECTRIFICATION & CONTROLS
CRANE KITS
SLINGS
SAFETY

VFD Control Panel with Amber Strobe Light



Power Feed Cable



Control Panel Mounting Bracket



Quick Plug Connectors for All Cable Connections

Motor Feed Cables



Cable Management Kit



Adjustable Bridge Crane End Stops

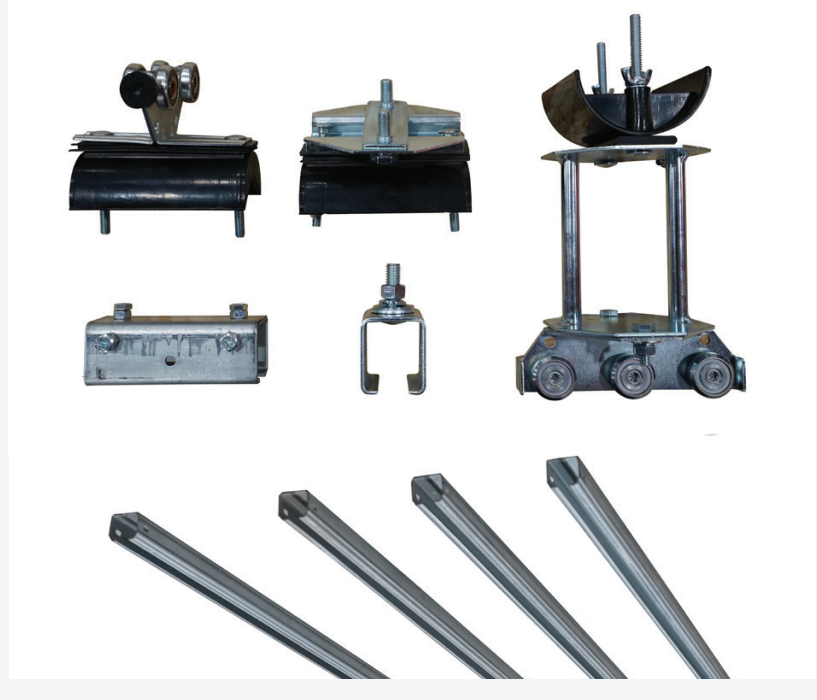


End Truck Bumpers

Crane Package "A" Controls

Power & Controls Festoon Package
(No Pendant or Radio Included)

Festoon Package



Power & Control Cables



Crane Package "B" Controls

Power & Controls Festoon Package including Independent Traveling Pendant Station



Crane Package "C" Controls

Festoonless ElectroTrack Package + InMotion K-Series Radio Control for Wireless Communication to Hoist, Trolley, and End Trucks (Includes 2 Transmitters)



HOISTS

CRANE COMPONENTS

ELECTRIFICATION & CONTROLS

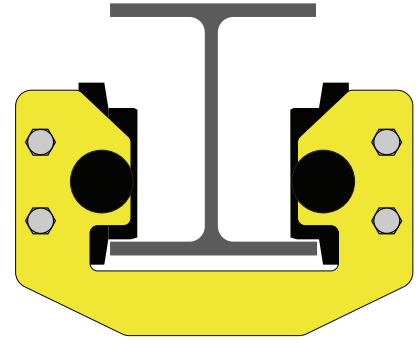
CRANE KITS

SLINGS

SAFETY

1 Ton Crane Kits

STK Electric Chain Hoist + SMT Motorized Trolley

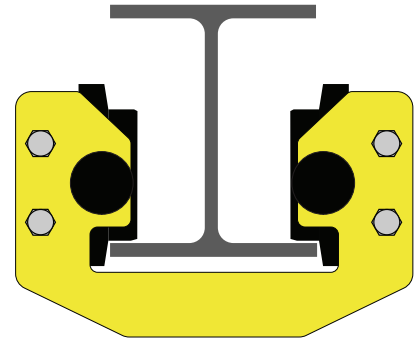


List Price Options

SKU	Cap	Max Bridge Span (ft)	Sugg. Bridge Beam	Endtruck Model	Hoist + Trolley Model	System Voltage	Net Weight (lbs)	Festoon Only	Traveling Pendant	Radio Kit
SCK-01-EC-UR20	1 Ton	20	W 10x22	SCU-110-100-42	STK1026-20 + SMT10VSL	230 or 460 3 PH	907	\$13,993	\$15,028	\$15,931
SCK-01-EC-UR24	1 Ton	24	W 10x22	SCU-110-100-42	STK1026-20 + SMT10VSL	230 or 460 3 PH	911	\$14,069	\$15,203	\$16,014
SCK-01-EC-UR28	1 Ton	28	W 12x26	SCU-110-100-42	STK1026-20 + SMT10VSL	230 or 460 3 PH	915	\$14,145	\$15,378	\$16,098
SCK-01-EC-UR32	1 Ton	32	W 14x34	SCU-110-100-48	STK1026-20 + SMT10VSL	230 or 460 3 PH	919	\$14,282	\$15,614	\$16,242
SCK-01-EC-UR36	1 Ton	36	W 14x38	SCU-110-100-54	STK1026-20 + SMT10VSL	230 or 460 3 PH	940	\$14,418	\$15,849	\$16,387
SCK-01-EC-UR40	1 Ton	40	W 14x43	SCU-110-100-60	STK1026-20 + SMT10VSL	230 or 460 3 PH	962	\$14,555	\$16,085	\$16,531
SCK-01-EC-UR44	1 Ton	44	W 14x48	SCU-110-100-66	STK1026-20 + SMT10VSL	230 or 460 3 PH	983	\$14,692	\$16,320	\$16,676
SCK-01-EC-UR48	1 Ton	48	W 14x61	SCU-110-100-72	STK1026-20 + SMT10VSL	230 or 460 3 PH	1,006	\$15,040	\$16,767	\$17,031
SCK-01-EC-UR52	1 Ton	52	W 16x67	SCU-130-100-78	STK1026-20 + SMT10VSL	230 or 460 3 PH	1,078	\$16,169	\$17,995	\$18,168
SCK-01-EC-UR56	1 Ton	56	W 18x76	SCU-130-100-84	STK1026-20 + SMT10VSL	230 or 460 3 PH	1,103	\$16,397	\$18,322	\$18,404
SCK-01-EC-UR60	1 Ton	60	W 18x86	SCU-130-100-90	STK1026-20 + SMT10VSL	230 or 460 3 PH	1,128	\$16,549	\$18,573	\$18,563
SCK-01-EC-UR64	1 Ton	64	W 21x101	SCU-160-100-90	STK1026-20 + SMT10VSL	230 or 460 3 PH	1,153	\$18,162	\$20,284	\$20,184

2 Ton Crane Kits

STK Electric Chain Hoist + SMT Motorized Trolley



HOISTS

CRANE COMPONENTS

ELECTRIFICATION & CONTROLS

CRANE KITS

SLINGS

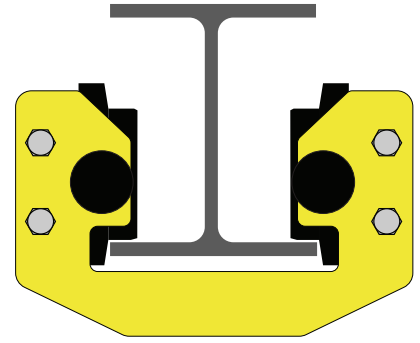
SAFETY

List Price Options

SKU	Cap	Max Bridge Span (ft)	Sugg. Bridge Beam	Endtruck Model	Hoist + Trolley Model	System Voltage	Net Weight (lbs)	Festoon Only	Traveling Pendant	Radio Kit
SCK-02-EC-UR20	2 Ton	20	W 12x26	SCU-110-100-42	STK2026-20 + SMT20VSL	230 or 460 3 PH	1,028	\$15,082	\$16,118	\$17,020
SCK-02-EC-UR24	2 Ton	24	W 14x30	SCU-110-100-42	STK2026-20 + SMT20VSL	230 or 460 3 PH	1,032	\$15,158	\$16,293	\$17,104
SCK-02-EC-UR28	2 Ton	28	W 14x34	SCU-110-100-42	STK2026-20 + SMT20VSL	230 or 460 3 PH	1,054	\$15,234	\$16,467	\$17,188
SCK-02-EC-UR32	2 Ton	32	W 14x43	SCU-110-100-48	STK2026-20 + SMT20VSL	230 or 460 3 PH	1,075	\$15,371	\$16,703	\$17,332
SCK-02-EC-UR36	2 Ton	36	W 14x53	SCU-110-100-54	STK2026-20 + SMT20VSL	230 or 460 3 PH	1,097	\$15,508	\$16,939	\$17,476
SCK-02-EC-UR40	2 Ton	40	W 16x67	SCU-110-100-60	STK2026-20 + SMT20VSL	230 or 460 3 PH	1,118	\$15,890	\$17,420	\$17,866
SCK-02-EC-UR44	2 Ton	44	W 16x67	SCU-110-100-66	STK2026-20 + SMT20VSL	230 or 460 3 PH	1,141	\$16,027	\$17,655	\$18,010
SCK-02-EC-UR48	2 Ton	48	W 18x76	SCU-110-100-72	STK2026-20 + SMT20VSL	230 or 460 3 PH	1,213	\$16,164	\$17,891	\$18,155
SCK-02-EC-UR52	2 Ton	52	W 18x76	SCU-130-100-78	STK2026-20 + SMT20VSL	230 or 460 3 PH	1,464	\$17,369	\$19,195	\$19,368
SCK-02-EC-UR56	2 Ton	56	W 21x101	SCU-130-100-84	STK2026-20 + SMT20VSL	230 or 460 3 PH	1,497	\$17,579	\$19,504	\$19,585
SCK-02-EC-UR60	2 Ton	60	W 21x101	SCU-160-100-90	STK2026-20 + SMT20VSL	230 or 460 3 PH	1,530	\$19,214	\$21,238	\$21,228
SCK-02-EC-UR64	2 Ton	64	W 21x111	SCU-160-100-96	STK2026-20 + SMT20VSL	230 or 460 3 PH	1,563	\$19,387	\$21,509	\$21,409

3 Ton Crane Kits

STK Electric Chain Hoist + SMT Motorized Trolley

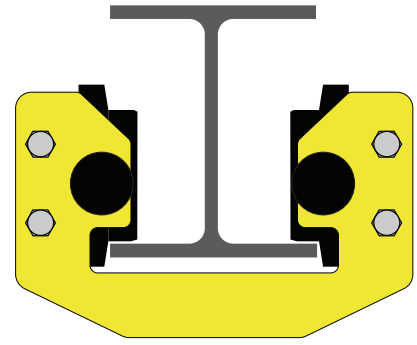


List Price Options

SKU	Cap	Max Bridge Span (ft)	Sugg. Bridge Beam	Endtruck Model	Hoist + Trolley Model	System Voltage	Net Weight (lbs)	Festoon Only	Traveling Pendant	Radio Kit
SCK-03-EC-UR20	3 Ton	20	W 12x40	SCU-130-100-48	STK3021-20 + SMT30VSL	230 or 460 3 PH	1,272	\$17,104	\$18,139	\$19,042
SCK-03-EC-UR24	3 Ton	24	W 12x40	SCU-130-100-48	STK3021-20 + SMT30VSL	230 or 460 3 PH	1,276	\$17,180	\$18,314	\$19,125
SCK-03-EC-UR28	3 Ton	28	W 14x43	SCU-130-100-48	STK3021-20 + SMT30VSL	230 or 460 3 PH	1,280	\$17,256	\$18,489	\$19,209
SCK-03-EC-UR32	3 Ton	32	W 14x61	SCU-130-100-48	STK3021-20 + SMT30VSL	230 or 460 3 PH	1,313	\$17,611	\$18,943	\$19,572
SCK-03-EC-UR36	3 Ton	36	W 16x67	SCU-130-100-54	STK3021-20 + SMT30VSL	230 or 460 3 PH	1,346	\$17,763	\$19,194	\$19,731
SCK-03-EC-UR40	3 Ton	40	W 16x67	SCU-130-100-60	STK3021-20 + SMT30VSL	230 or 460 3 PH	1,379	\$17,915	\$19,445	\$19,891
SCK-03-EC-UR44	3 Ton	44	W 18x76	SCU-130-100-66	STK3021-20 + SMT30VSL	230 or 460 3 PH	1,412	\$18,067	\$19,695	\$20,051
SCK-03-EC-UR48	3 Ton	48	W 18x86	SCU-130-100-72	STK3021-20 + SMT30VSL	230 or 460 3 PH	1,447	\$18,219	\$19,946	\$20,210
SCK-03-EC-UR52	3 Ton	52	W 21x101	SCU-130-100-78	STK3021-20 + SMT30VSL	230 or 460 3 PH	1,480	\$18,440	\$20,266	\$20,439
SCK-03-EC-UR56	3 Ton	56	W 21x101	SCU-130-100-84	STK3021-20 + SMT30VSL	230 or 460 3 PH	1,513	\$18,592	\$20,517	\$20,598
SCK-03-EC-UR60	3 Ton	60	W 21x111	SCU-130-100-90	STK3021-20 + SMT30VSL	230 or 460 3 PH	1,546	\$18,744	\$20,767	\$20,758
SCK-03-EC-UR64	3 Ton	64	W 24x131	SCU-160-100-96	STK3021-20 + SMT30VSL	230 or 460 3 PH	1,579	\$20,400	\$22,522	\$22,421

3 Ton Crane Kits

SMW Wire Rope Hoist & Trolley



HOISTS

CRANE COMPONENTS

ELECTRIFICATION & CONTROLS

CRANE KITS

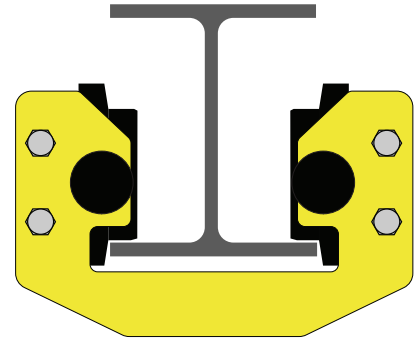
SLINGS

SAFETY

List Price Options

SKU	Cap	Max Bridge Span (ft)	Sugg. Bridge Beam	Endtruck Model	Hoist + Trolley Model	System Voltage	Net Weight (lbs)	Festoon Only	Traveling Pendant	Radio Kit
SCK-03-WR-UR20	3 Ton	20	W 12x40	SCU-130-100-48	SMW0324-20	230 or 460 3 PH	1,652	\$17,888	\$18,923	\$19,826
SCK-03-WR-UR24	3 Ton	24	W 12x40	SCU-130-100-48	SMW0324-20	230 or 460 3 PH	1,656	\$17,964	\$19,098	\$19,909
SCK-03-WR-UR28	3 Ton	28	W 14x43	SCU-130-100-48	SMW0324-20	230 or 460 3 PH	1,660	\$18,040	\$19,273	\$19,993
SCK-03-WR-UR32	3 Ton	32	W 14x61	SCU-130-100-48	SMW0324-20	230 or 460 3 PH	1,693	\$18,116	\$19,447	\$20,076
SCK-03-WR-UR36	3 Ton	36	W 16x67	SCU-130-100-54	SMW0324-20	230 or 460 3 PH	1,726	\$18,268	\$19,698	\$20,236
SCK-03-WR-UR40	3 Ton	40	W 16x67	SCU-130-100-60	SMW0324-20	230 or 460 3 PH	1,759	\$18,420	\$19,949	\$20,396
SCK-03-WR-UR44	3 Ton	44	W 18x76	SCU-130-100-66	SMW0324-20	230 or 460 3 PH	1,792	\$18,572	\$20,200	\$20,555
SCK-03-WR-UR48	3 Ton	48	W 18x86	SCU-130-100-72	SMW0324-20	230 or 460 3 PH	1,827	\$18,724	\$20,451	\$20,715
SCK-03-WR-UR52	3 Ton	52	W 21x101	SCU-130-100-78	SMW0324-20	230 or 460 3 PH	1,860	\$18,876	\$20,702	\$20,875
SCK-03-WR-UR56	3 Ton	56	W 21x101	SCU-130-100-84	SMW0324-20	230 or 460 3 PH	1,893	\$19,028	\$20,953	\$21,034
SCK-03-WR-UR60	3 Ton	60	W 21x111	SCU-160-100-90	SMW0324-20	230 or 460 3 PH	1,926	\$20,663	\$22,687	\$22,677
SCK-03-WR-UR64	3 Ton	64	W 24x131	SCU-160-100-96	SMW0324-20	230 or 460 3 PH	1,959	\$20,836	\$22,958	\$22,858

5 Ton Crane Kits
STK Electric Chain Hoist + SMT Motorized Trolley



CRANE COMPONENTS

ELECTRIFICATION & CONTROLS

CRANE KITS

SLINGS

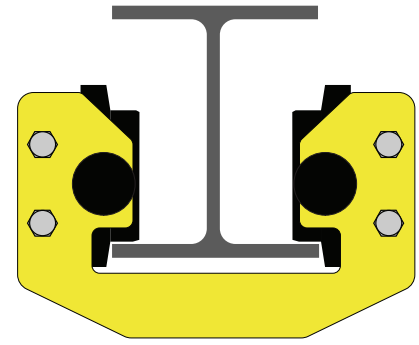
SAFETY

List Price Options

SKU	Cap	Max Bridge Span (ft)	Sugg. Bridge Beam	Endtruck Model	Hoist + Trolley Model	System Voltage	Net Weight (lbs)	Festoon Only	Traveling Pendant	Radio Kit
SCK-05-EC-UR20	5 Ton	20	W 14x48	SCU-130-100-48	STK5011-20 + SMT50VSL	230 or 460 3 PH	1,394	\$18,249	\$19,285	\$20,187
SCK-05-EC-UR24	5 Ton	24	W 14x53	SCU-130-100-48	STK5011-20 + SMT50VSL	230 or 460 3 PH	1,398	\$18,325	\$19,459	\$20,271
SCK-05-EC-UR28	5 Ton	28	W 14x61	SCU-130-100-48	STK5011-20 + SMT50VSL	230 or 460 3 PH	1,402	\$18,401	\$19,634	\$20,354
SCK-05-EC-UR32	5 Ton	32	W 16x67	SCU-130-100-48	STK5011-20 + SMT50VSL	230 or 460 3 PH	1,435	\$18,477	\$19,809	\$20,438
SCK-05-EC-UR36	5 Ton	36	W 18x76	SCU-130-100-54	STK5011-20 + SMT50VSL	230 or 460 3 PH	1,468	\$18,629	\$20,060	\$20,598
SCK-05-EC-UR40	5 Ton	40	W 18x86	SCU-130-100-60	STK5011-20 + SMT50VSL	230 or 460 3 PH	1,501	\$18,781	\$20,311	\$20,757
SCK-05-EC-UR44	5 Ton	44	W 21x101	SCU-160-100-66	STK5011-20 + SMT50VSL	230 or 460 3 PH	2,004	\$20,740	\$22,368	\$22,724
SCK-05-EC-UR48	5 Ton	48	W 21x101	SCU-160-100-72	STK5011-20 + SMT50VSL	230 or 460 3 PH	2,108	\$20,913	\$22,640	\$22,904
SCK-05-EC-UR52	5 Ton	52	W 21x111	SCU-160-100-78	STK5011-20 + SMT50VSL	230 or 460 3 PH	2,212	\$21,085	\$22,911	\$23,084
SCK-05-EC-UR56	5 Ton	56	W 24x131	SCU-160-100-84	STK5011-20 + SMT50VSL	230 or 460 3 PH	2,316	\$21,258	\$23,183	\$23,264
SCK-05-EC-UR60	5 Ton	60	W 27x146	SCU-160-100-90	STK5011-20 + SMT50VSL	230 or 460 3 PH	2,420	\$21,431	\$23,454	\$23,445
SCK-05-EC-UR64	5 Ton	64	W 27x146	SCU-160-100-96	STK5011-20 + SMT50VSL	230 or 460 3 PH	2,524	\$21,603	\$23,726	\$23,625

5 Ton Crane Kits

SMW Wire Rope Hoist & Trolley



HOISTS

CRANE COMPONENTS

ELECTRIFICATION & CONTROLS

CRANE KITS

SLINGS

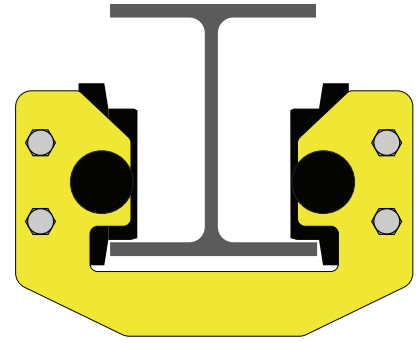
SAFETY

List Price Options

SKU	Cap	Max Bridge Span (ft)	Sugg. Bridge Beam	Endtruck Model	Hoist + Trolley Model	System Voltage	Net Weight (lbs)	Festoon Only	Traveling Pendant	Radio Kit
SCK-05-WR-UR20	5 Ton	20	W 14x48	SCU-130-100-48	SMW0524-20	230 or 460 3 PH	1,798	\$18,670	\$19,706	\$20,608
SCK-05-WR-UR24	5 Ton	24	W 14x53	SCU-130-100-48	SMW0524-20	230 or 460 3 PH	1,802	\$18,746	\$19,881	\$20,692
SCK-05-WR-UR28	5 Ton	28	W 14x61	SCU-130-100-48	SMW0524-20	230 or 460 3 PH	1,806	\$18,822	\$20,056	\$20,776
SCK-05-WR-UR32	5 Ton	32	W 16x67	SCU-130-100-48	SMW0524-20	230 or 460 3 PH	1,839	\$18,898	\$20,230	\$20,859
SCK-05-WR-UR36	5 Ton	36	W 18x76	SCU-130-100-54	SMW0524-20	230 or 460 3 PH	1,872	\$19,050	\$20,481	\$21,019
SCK-05-WR-UR40	5 Ton	40	W 18x86	SCU-130-100-60	SMW0524-20	230 or 460 3 PH	1,905	\$19,203	\$20,732	\$21,179
SCK-05-WR-UR44	5 Ton	44	W 21x101	SCU-160-100-66	SMW0524-20	230 or 460 3 PH	2,408	\$20,756	\$22,384	\$22,739
SCK-05-WR-UR48	5 Ton	48	W 21x101	SCU-160-100-72	SMW0524-20	230 or 460 3 PH	2,512	\$20,928	\$22,655	\$22,919
SCK-05-WR-UR52	5 Ton	52	W 21x111	SCU-160-100-78	SMW0524-20	230 or 460 3 PH	2,616	\$21,101	\$22,927	\$23,100
SCK-05-WR-UR56	5 Ton	56	W 24x131	SCU-160-100-84	SMW0524-20	230 or 460 3 PH	2,720	\$21,274	\$23,198	\$23,280
SCK-05-WR-UR60	5 Ton	60	W 27x146	SCU-160-100-90	SMW0524-20	230 or 460 3 PH	2,824	\$21,446	\$23,470	\$23,460
SCK-05-WR-UR64	5 Ton	64	W 27x146	SCU-160-100-96	SMW0524-20	230 or 460 3 PH	2,928	\$21,619	\$23,741	\$23,640

7.5 Ton Crane Kits

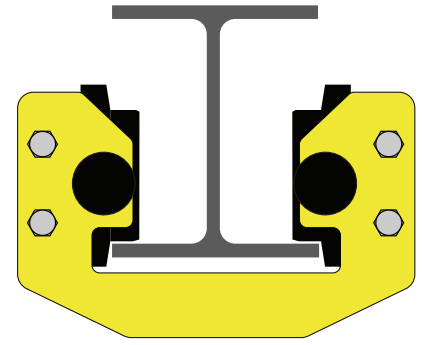
SMW Wire Rope Hoist & Trolley



SKU	Cap	Max Bridge Span (ft)	Sugg. Bridge Beam	Endtruck Model	Hoist + Trolley Model	System Voltage	Net Weight (lbs)	List Price Options		
								Festoon Only	Traveling Pendant	Radio Kit
SCK-07-WR-UR20	7.5 Ton	20	W 16x77	SCU-160-100-54	SMW1021-20	230 or 460 3 PH	2,968	\$24,557	\$25,593	\$26,495
SCK-07-WR-UR24	7.5 Ton	24	W 16x77	SCU-160-100-54	SMW1021-20	230 or 460 3 PH	2,972	\$24,633	\$25,767	\$26,579
SCK-07-WR-UR28	7.5 Ton	28	W 18x86	SCU-160-100-54	SMW1021-20	230 or 460 3 PH	2,976	\$24,709	\$25,942	\$26,662
SCK-07-WR-UR32	7.5 Ton	32	W 21x101	SCU-160-100-54	SMW1021-20	230 or 460 3 PH	2,980	\$24,785	\$26,117	\$26,746
SCK-07-WR-UR36	7.5 Ton	36	W 21x101	SCU-160-100-54	SMW1021-20	230 or 460 3 PH	3,084	\$24,861	\$26,292	\$26,829
SCK-07-WR-UR40	7.5 Ton	40	W 21x111	SCU-160-100-60	SMW1021-20	230 or 460 3 PH	3,188	\$25,034	\$26,563	\$27,010
SCK-07-WR-UR44	7.5 Ton	44	W 21x111	SCU-160-100-66	SMW1021-20	230 or 460 3 PH	3,292	\$25,206	\$26,835	\$27,190
SCK-07-WR-UR48	7.5 Ton	48	W 24x131	SCU-160-100-72	SMW1021-20	230 or 460 3 PH	3,396	\$25,379	\$27,106	\$27,370
SCK-07-WR-UR52	7.5 Ton	52	W 24x131	SCU-160-100-78	SMW1021-20	230 or 460 3 PH	3,500	\$25,551	\$27,377	\$27,550
SCK-07-WR-UR56	7.5 Ton	56	W 24x131	SCU-160-100-84	SMW1021-20	230 or 460 3 PH	3,604	\$25,724	\$27,649	\$27,730
SCK-07-WR-UR60	7.5 Ton	60	W 27x146	SCU-190-100-90	SMW1021-20	230 or 460 3 PH	4,163	\$28,687	\$30,711	\$30,701
SCK-07-WR-UR64	7.5 Ton	64	Mono-Box	SCU-190-100-96	SMW1021-20	230 or 460 3 PH	4,237	\$30,955	\$33,078	\$32,977
SCK-07-WR-UR68	7.5 Ton	68	Mono-Box	SCU-190-100-102	SMW1021-20	230 or 460 3 PH	4,311	\$31,167	\$33,388	\$33,196
SCK-07-WR-UR72	7.5 Ton	72	Mono-Box	SCU-190-100-108	SMW1021-20	230 or 460 3 PH	4,385	\$31,378	\$33,698	\$33,415
SCK-07-WR-UR76	7.5 Ton	76	Mono-Box	SCU-190-100-114	SMW1021-20	230 or 460 3 PH	4,459	\$31,589	\$34,008	\$33,633
SCK-07-WR-UR80	7.5 Ton	80	Mono-Box	SCU-190-100-120	SMW1021-20	230 or 460 3 PH	4,533	\$31,800	\$34,318	\$33,852

10 Ton Crane Kits

SMW Wire Rope Hoist & Trolley



HOISTS

CRANE COMPONENTS

ELECTRIFICATION & CONTROLS

CRANE KITS

SLINGS

SAFETY

List Price Options

SKU	Cap	Max Bridge Span (ft)	Sugg. Bridge Beam	Endtruck Model	Hoist + Trolley Model	System Voltage	Net Weight (lbs)	Festoon Only	Traveling Pendant	Radio Kit
SCK-10-WR-UR20	10 Ton	20	W 16x89	SCU-160-100-54	SMW1021-20	230 or 460 3 PH	890	\$20,106	\$21,142	\$22,044
SCK-10-WR-UR24	10 Ton	24	W 18x97	SCU-160-100-54	SMW1021-20	230 or 460 3 PH	890	\$20,182	\$21,317	\$22,128
SCK-10-WR-UR28	10 Ton	28	W 24x131	SCU-160-100-54	SMW1021-20	230 or 460 3 PH	890	\$20,258	\$21,492	\$22,212
SCK-10-WR-UR32	10 Ton	32	W 24x131	SCU-160-100-54	SMW1021-20	230 or 460 3 PH	890	\$20,334	\$21,666	\$22,295
SCK-10-WR-UR36	10 Ton	36	W 24x131	SCU-160-100-54	SMW1021-20	230 or 460 3 PH	990	\$20,410	\$21,841	\$22,379
SCK-10-WR-UR40	10 Ton	40	W 24x131	SCU-190-100-60	SMW1021-20	230 or 460 3 PH	1,695	\$23,180	\$24,710	\$25,156
SCK-10-WR-UR44	10 Ton	44	W 27x146	SCU-190-100-66	SMW1021-20	230 or 460 3 PH	1,765	\$23,392	\$25,020	\$25,375
SCK-10-WR-UR48	10 Ton	48	W 27x146	SCU-190-100-72	SMW1021-20	230 or 460 3 PH	1,835	\$23,603	\$25,330	\$25,594
SCK-10-WR-UR52	10 Ton	52	W 27x161	SCU-190-100-78	SMW1021-20	230 or 460 3 PH	1,905	\$23,814	\$25,640	\$25,813
SCK-10-WR-UR56	10 Ton	56	Mono-Box	SCU-190-100-84	SMW1021-20	230 or 460 3 PH	1,975	\$26,082	\$28,007	\$28,089
SCK-10-WR-UR60	10 Ton	60	Mono-Box	SCU-190-100-90	SMW1021-20	230 or 460 3 PH	2,045	\$26,293	\$28,317	\$28,307
SCK-10-WR-UR64	10 Ton	64	Mono-Box	SCU-190-100-96	SMW1021-20	230 or 460 3 PH	2,115	\$26,505	\$28,627	\$28,526
SCK-10-WR-UR68	10 Ton	68	Mono-Box	SCU-190-100-102	SMW1021-20	230 or 460 3 PH	2,185	\$26,716	\$28,937	\$28,745
SCK-10-WR-UR72	10 Ton	72	Mono-Box	SCU-190-100-108	SMW1021-20	230 or 460 3 PH	2,255	\$26,927	\$29,247	\$28,964
SCK-10-WR-UR76	10 Ton	76	Mono-Box	SCU-190-100-114	SMW1021-20	230 or 460 3 PH	2,325	\$27,139	\$29,557	\$29,183
SCK-10-WR-UR80	10 Ton	80	Mono-Box	SCU-190-100-120	SMW1021-20	230 or 460 3 PH	2,395	\$27,350	\$29,867	\$29,402

CHAIN SLING COMPONENTS

5/16" x Grade #80

SKU	Description	Working Load Limit	Weight	List
SCS-516LC	5/16 Grade #80 Chain	4,400 lbs	0.8 lbs / ft	\$3.82
SCS-58ML	5/8" Master Link (Used with 1 Leg)	6,930 lbs	1.5 lbs	\$11.61
SCS-34ML	3/4" Master Link (Used with 2 Legs)	9,350 lbs	2.1 lbs	\$15.94
SCS-10ASM	1" Master Link Assembly (Used with 3 & 4 Legs)	14,740 lbs	7 lbs	\$42.32
SCS-516HL	Hammer Lock Connector	4,400 lbs	0.4 lbs	\$8.74
SCS-516AH	Adjuster Grab Hook w/ Eye	4,400 lbs	0.7 lbs	\$7.11
SCS-516SH	Lower Sling Hook w/ Safety Latch	4,400 lbs	1.1 lbs	\$16.14
SCS-516GH	Lower Grab Hook	4,400 lbs	0.8 lbs	\$9.90
SCS-810CT	Chain ID Tag	N/A	0.2 lbs	\$5.28



3/8" x Grade #80

SKU	Description	Working Load Limit	Weight	List
SCS-38LC	3/8 Grade #80 Chain	6,930 lbs	1.4 lbs / ft	\$5.25
SCS-58ML	5/8" Master Link (Used with 1 Leg)	6,930 lbs	1.5 lbs	\$13.47
SCS-10ASM	1" Master Link Assembly (Used with 2 Legs)	14,740 lbs	7 lbs	\$42.32
SCS-13ASM	1 1/4" Master Link Assembly (Used with 3 & 4 Legs)	24,640 lbs	13.1 lbs	\$95.12
SCS-38HL	Hammer Lock Connector	6,930 lbs	0.7 lbs	\$9.62
SCS-38AH	Adjuster Grab Hook w/ Eye	6,930 lbs	1.6 lbs	\$14.20
SCS-38SH	Lower Sling Hook w/ Safety Latch	6,930 lbs	2.2 lbs	\$25.25
SCS-38GH	Lower Grab Hook	6,930 lbs	1.8 lbs	\$17.55
SCS-810CT	Chain ID Tag	N/A	0.2 lbs	\$5.28

w/o Adjuster Hook



Lower Sling Hook



w/Adjuster Hook



Lower Grab Hook



Chain Adjusted



ID Tag



5/16" x Grade #100

SKU	Description	Working Load Limit	Weight	List
SCS-516HLC	5/16 Grade #100 Chain	5,500 lbs	0.96 lbs / ft	\$5.08
SCS-58HML	5/8" Master Link (Used with 1 Leg)	7,700 lbs	1.8 lbs	\$12.95
SCS-34HML	3/4" Master Link (Used with 2 Legs)	11,000 lbs	3.3 lbs	\$21.28
SCS-10HASM	1" Master Link Assembly (Used with 3 & 4 Legs)	17,600 lbs	4.9 lbs	\$60.25
SCS-516HHL	Hammer Lock Connector	5,500 lbs	0.4 lbs	\$11.67
SCS516HAH	Adjuster Grab Hook w/ Eye	5,500 lbs	0.7 lbs	\$9.48
SCS-516HSH	Lower Sling Hook w/ Safety Latch	5,500 lbs	1.2 lbs	\$22.59
SCS-516HGH	Lower Grab Hook	5,500 lbs	0.7 lbs	\$16.20
SCS-810CT	Chain ID Tag	N/A	0.2 lbs	\$5.28

3/8" x Grade #100

SKU	Description	Working Load Limit	Weight	List
SCS-38HLC	3/8 Grade #100 Chain	8,800 lbs	1.53 lbs / ft	\$6.97
SCS-34HML	3/4" Master Link (Used with 1 Leg)	9,350 lbs	3.3 lbs	\$21.28
SCS-10HASM	1" Master Link Assembly (Used with 2 Legs)	17,600 lbs	4.9 lbs	\$60.25
SCS-13HASM	1 1/4" Master Link Assembly (Used with 3 & 4 Legs)	30,800 lbs	7.9 lbs	\$130.34
SCS-38HHL	Hammer Lock Connector	8,800 lbs	0.7 lbs	\$12.78
SCS38HAH	Adjuster Grab Hook w/ Eye	8,800 lbs	1.7 lbs	\$19.01
SCS-38HSH	Lower Sling Hook w/ Safety Latch	8,800 lbs	2.2 lbs	\$33.63
SCS-38HGH	Lower Grab Hook	8,800 lbs	1.8 lbs	\$23.40
SCS-810CT	Chain ID Tag	N/A	0.2 lbs	\$5.28

ID Tag



Chain Adjusted

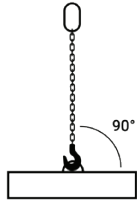
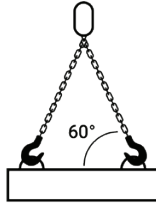
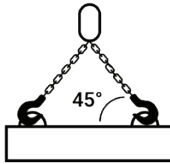
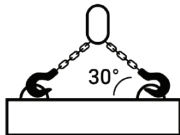


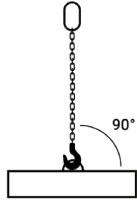
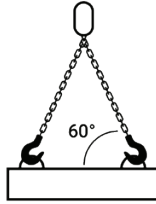
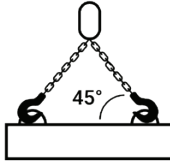
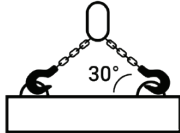
Lower Sling Hook

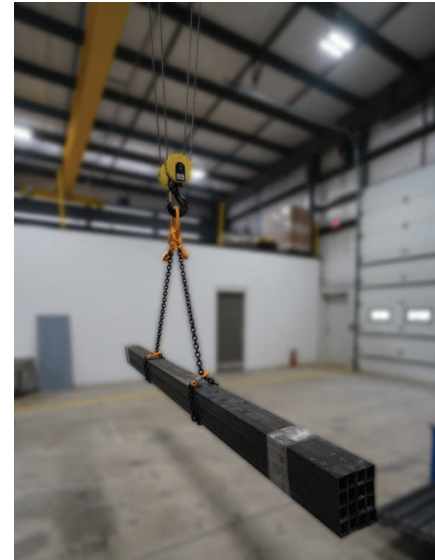
Lower Grab Hook



CHAIN SLING RATING GUIDE

Grade #80 Capacity Chart					
Chain Size	Number of Legs	90° Angle	60° Angle	45° Angle	30° Angle
5/16"	1 Leg	4,500 lbs	N/A	N/A	N/A
	2 Leg	N/A	7,800 lbs	6,400 lbs	4,500 lbs
	3 Legs & 4 Legs	N/A	11,700 lbs	9,500 lbs	6,800 lbs
3/8"	1 Leg	7,100 lbs	N/A	N/A	N/A
	2 Leg	N/A	12,300 lbs	10,000 lbs	7,100 lbs
	3 Legs & 4 Legs	N/A	18,400 lbs	15,100 lbs	10,600 lbs

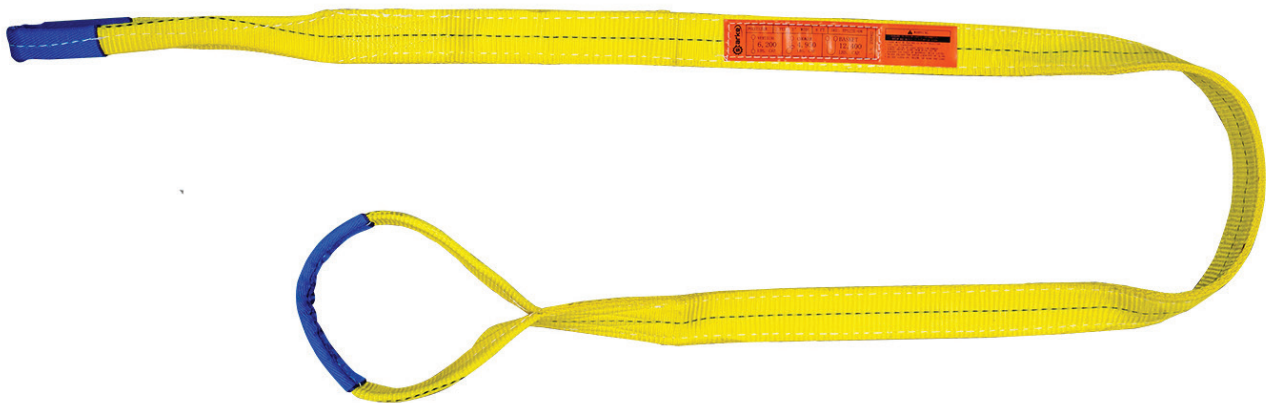
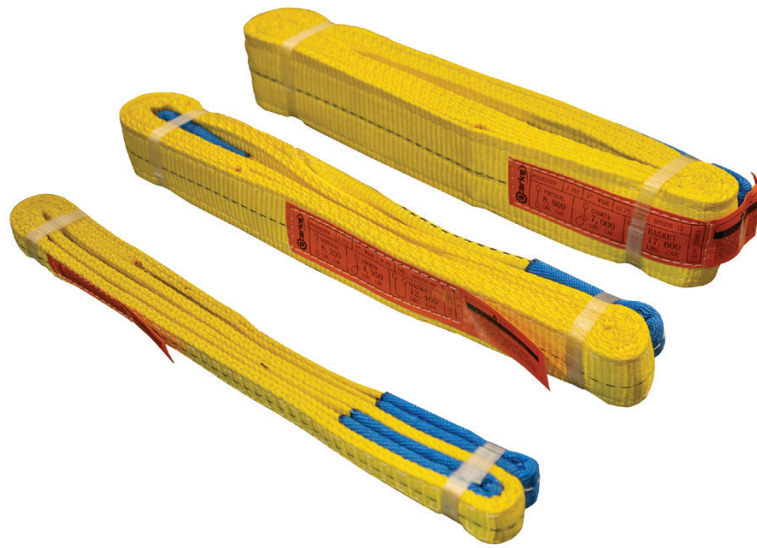
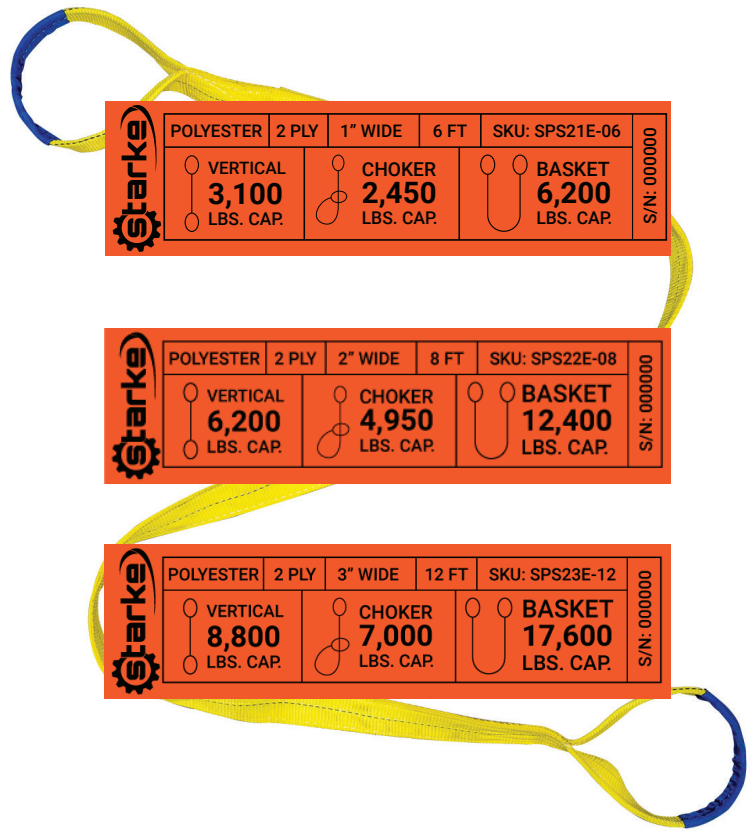
Grade #100 Capacity Chart					
Chain Size	Number of Legs	90° Angle	60° Angle	45° Angle	30° Angle
5/16"	1 Leg	5,700 lbs	N/A	N/A	N/A
	2 Leg	N/A	9,900 lbs	8,100 lbs	5,700 lbs
	3 Legs & 4 Legs	N/A	14,800 lbs	12,100 lbs	8,500 lbs
3/8"	1 Leg	8,800 lbs	N/A	N/A	N/A
	2 Leg	N/A	15,200 lbs	12,400 lbs	8,800 lbs
	3 Legs & 4 Legs	N/A	22,900 lbs	18,700 lbs	13,200 lbs



WEB SLINGS

SKU	Length	Width	Capacity	List
SPS21E-03	3'	1"	3,100 lbs	\$17
SPS21E-04	4'	1"	3,100 lbs	\$19
SPS21E-06	6'	1"	3,100 lbs	\$22
SPS21E-08	8'	1"	3,100 lbs	\$25
SPS22E-04	4'	2"	6,200 lbs	\$27
SPS22E-06	6'	2"	6,200 lbs	\$32
SPS22E-08	8'	2"	6,200 lbs	\$37
SPS22E-10	10'	2"	6,200 lbs	\$45
SPS22E-12	12'	2"	6,200 lbs	\$49
SPS22E-16	16'	2"	6,200 lbs	\$61
SPS22E-20	20'	2"	6,200 lbs	\$73
SPS23E-08	8'	3"	8,800 lbs	\$51
SPS23E-12	12'	3"	8,800 lbs	\$70
SPS23E-16	16'	3"	8,800 lbs	\$80
SPS23E-20	20'	3"	8,800 lbs	\$106

- **Material: Polyester**
- **2 Ply**
- **Eye-to-Eye**



HOISTS

CRANE COMPONENTS

ELECTRIFICATION & CONTROLS

CRANE KITS

SLINGS

SAFETY

SAFETY

Basic Compliance Safety Harness

SKU	Size	Net Weight	List
SBC100-ML	Medium/Large	3 lbs	\$65

- Basic “one size fits all” safety harness to meet compliance for occasional use
- Includes back D-Ring and easy-to-use adjustable leg and chest straps
- Please use SDH series below for daily use or additional sizes
- Designed to meet compliance of ANSI & OSHA standards
- Weight capacity: 420 lbs



Deluxe Safety Harness

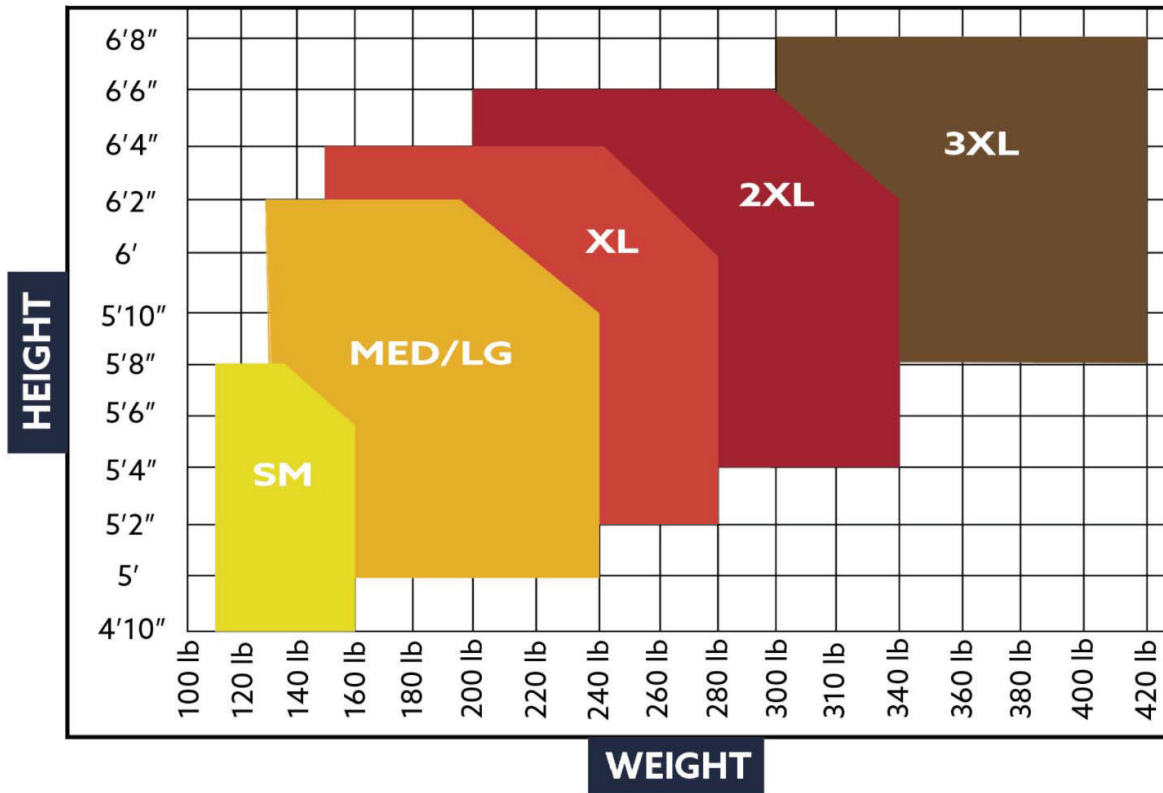
SKU	Size	Net Weight	List
SDH200-SM	Small	3.5 lbs	\$98
SDH200-ML	Medium/Large	3.75 lbs	\$98
SDH200-XL	Extra Large	3.9 lbs	\$98
SDH200-2X	2XL	4.1 lbs	\$113
SDH200-3X	3XL	4.2 lbs	\$126

- The deluxe series harness is available in (5) sizes for a broad range of personnel
- Features Ultra-Comfort Full Shoulder & Back Padding for use the entire day
- Includes Back D-Ring and fully adjustable leg and chest straps for ultra-comfort
- Designed to meet compliance of ANSI & OSHA standards
- Weight capacity: 420 lbs





Harness Sizing Chart



Self-Retracting Lifelines - Steel Cable or Nylon Web Style

SKU	Length	Lower Hook	Lifeline	Net Weight	List
SRLWB-6	6'	Rebar	Poly Web	3.7 lbs	\$181
SRLWB-10	10'	Standard	Poly Web	4.8 lbs	\$192
SKU	Length	Lower Hook	Lifeline	Net Weight	List
SRLWR-20	20'	Standard	Wire Rope	9.6 lbs	\$357
SRLWR-30	30'	Standard	Wire Rope	15.5 lbs	\$533
SRLWR-50	50'	Standard	Wire Rope	20.5 lbs	\$654



Shock-Absorbing Lanyards

SKU	Length	Absorber	Lower Hook	Net Weight	List
SALI-6	6'	Internal	LG 2" Opening	10 lbs	\$80
SALE-6	6'	External	LG 2" Opening	10 lbs	\$76



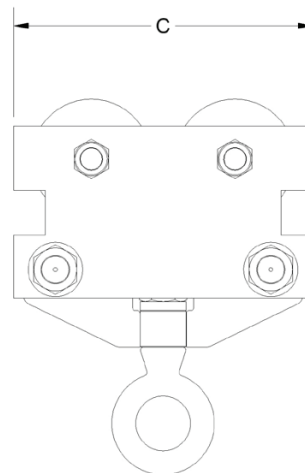
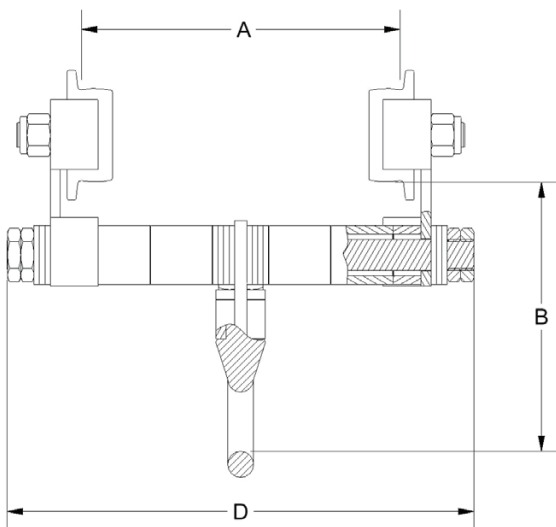
Fall Arrest Trolley
(SFT)
Shown on page 39



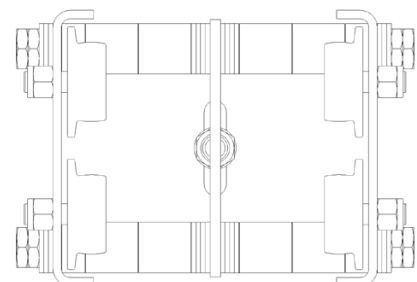
Fall Arrest Beam Trolleys

SKU	Capacity	Description	Flange	Net Weight	List
SFT100	420 lb	Powder-Coated Light-Aluminum Construction with Nylon Wheels	3 ½" - 8 ⅝"	11 lbs	\$434
SFT200	420 lb	Zinc-Plated Carbon Steel Construction	3 ½" - 8 ⅝"	22 lbs	\$324
S300-SFT	420 lb	300 Series Track	N/A	4 lbs	\$329
S400-SFT	420 lb	400 Series Track	N/A	7 lbs	\$479

- More information about S300-SFT & S400-SFT found on page 39



Fall Arrest Beam Trolley Dimensions				
	A	B	C	D
SFT100	3 ½" MIN 8 ⅝" MAX	6 ¾"	6 ⅜"	11 ⅞"
SFT200	3 ½" MIN 8 ⅝" MAX	6 ¾"	6 ⅜"	11 ⅞"



Secondary Brake Device

SKU	Maximum Capacity	Wire Rope Specs	Net Weight	List
S2KLAS-20	2,204 lb	10.2 mm x 20'	12 lbs	\$2,175
S3KLAS-20	3,527 lb	11.5 mm x 20'	16 lbs	\$2,935

- Comes with 20' Wire Rope Kit (shown on page 95).
- Unit trips at 45 FPM

Secondary Brake Device with Brake Activation Sensor

SKU	Description	Maximum Capacity	Wire Rope Specs	Net Weight	List
S2KLAS-BAS-20	Brake Device with Activation Sensor, 66" Cable Assembly, and Male & Female Plug	2,204 lb	10.2 mm x 20'	13 lbs	\$2,340
S3KLAS-BAS-20	Brake Device with Activation Sensor, 66" Cable Assembly, and Male & Female Plug	3,527 lb	11.5 mm x 20'	17 lbs	\$3,100



Brake Device Options

SKU	Description	Net Weight	List
SBD-23CW	Floor-Mounted - Wire Rope Anchor (S2 & S3 Models)	5 lbs	\$43
SBD-13CW	Counterweight Style - Wire Rope Anchor (S2 Model)	13.5 lbs	\$159
SBD-10WR	Additional 10.2mm Wire Rope	0.28 lbs / ft	\$3.49 / ft
SBD-11WR	Additional 11.5mm Wire Rope	0.34 lbs / ft	\$3.89 / ft
SBD-23BAS	Brake Activation Sensor KIT ONLY with 66" Cable Assembly and Male & Female Plug	1 lb	\$165
ST90064	Replacement Unlock Handle for S2 or S3	1 lbs	\$29



Brake Sensor Switch & Cable Assembly (BAS-20)



Male & Female Plug



S2KLAS



S3KLAS



Wire Rope Assembly Included

10.2mm Wire Rope

20' Wire Rope Kit Included

S2KLAS



S3KLAS

11.5mm Wire Rope



Lower Configuration Options



Floor-Mounted Anchor



Counterweight Anchor

Starke Products Warranty 1 Year (12 Month) Parts & Labor Warranty

Starke guarantees that our products are free from material defects in design and workmanship under normal use and proper maintenance.

This warranty is strictly limited to 12 months from the date of purchase.

Within ten days after a defect is found, warrantee must deliver a written notice to starkeamerica.com providing defect information. All information requested by Starke warranty department must be received promptly by a Starke Master Distributor in no more than 5 business days.

Customer is responsible for all shipping charges on returned/warrantable items. Starke will cover the repair (parts and labor) at no charge or provide a replacement item at Starke's discretion.

This warranty does not cover defects or damage caused by acts of God, unusual wear and tear, improper use, or improper maintenance by the user. No responsibility for consequential damage is expressed or implied, and the responsibility under this warranty is limited to the repair or replacement of the defective materials. Repair or replacement of the item is fully at the discretion of Starke.

ALL OTHER REPRESENTATIONS, EXPRESS OR IMPLIED, WARRANTY, OR LIABILITY RELATING TO THE CONDITION OR USE OF THE PRODUCT ARE SPECIFICALLY DISAVOWED, AND IN NO EVENT SHALL STARKE BE LIABLE TO BUYER, OR ANY THIRD PARTY, FOR ANY DIRECT OR INDIRECT CONSEQUENTIAL OR INCIDENTAL DAMAGES

STARKE

Starkeamerica.com/contact-us/

Starke Products Service & Repair

Should your Starke product need repair or parts replacement please direct all inquiries to starkeamerica.com/contact-us/ to find a distributor near you who can help with the necessary repairs or parts required.

Starke Product Owner Manuals

Starke Owner's Manuals can be found online at starkeamerica.com



STARKEAMERICA.COM

DISTRIBUTOR

A large, empty rectangular box with a thin orange border, intended for a distributor's name and contact information.